

DALIAN QIYUN DISPLAY CO., LTD.

DESIGNED BY:

ZN

EDS139M(P)-11

VERSION: 1.0

NO. 1 OF 4

1. DISPLAY TYPE:

TN/POSITIVE

6. POLARIZER TYPE:

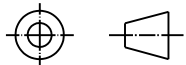
TRANSFLECTIVE

VERSION

REVISION RECORD

CHECKED BY:

HQM



UNIT: mm

DATE: 2015-09-16

2. OPERATING VOLTAGE:

5.0V

7. VIEWING DIRECTION:

6:00

1.0

3. DRIVE MODE:

1/1D,1/1B

8. CONNECTOR:

PIN

2.0

4. OPERATING TEMP:

-30°C~80°C

9. CUSTOMER NO:

3.0

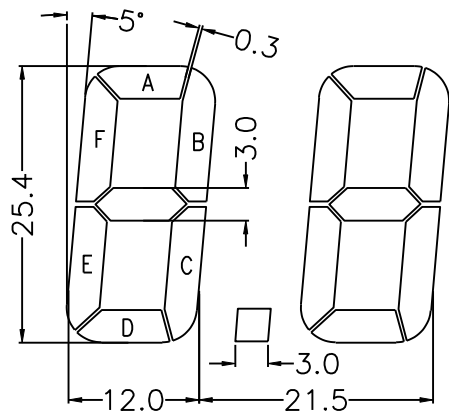
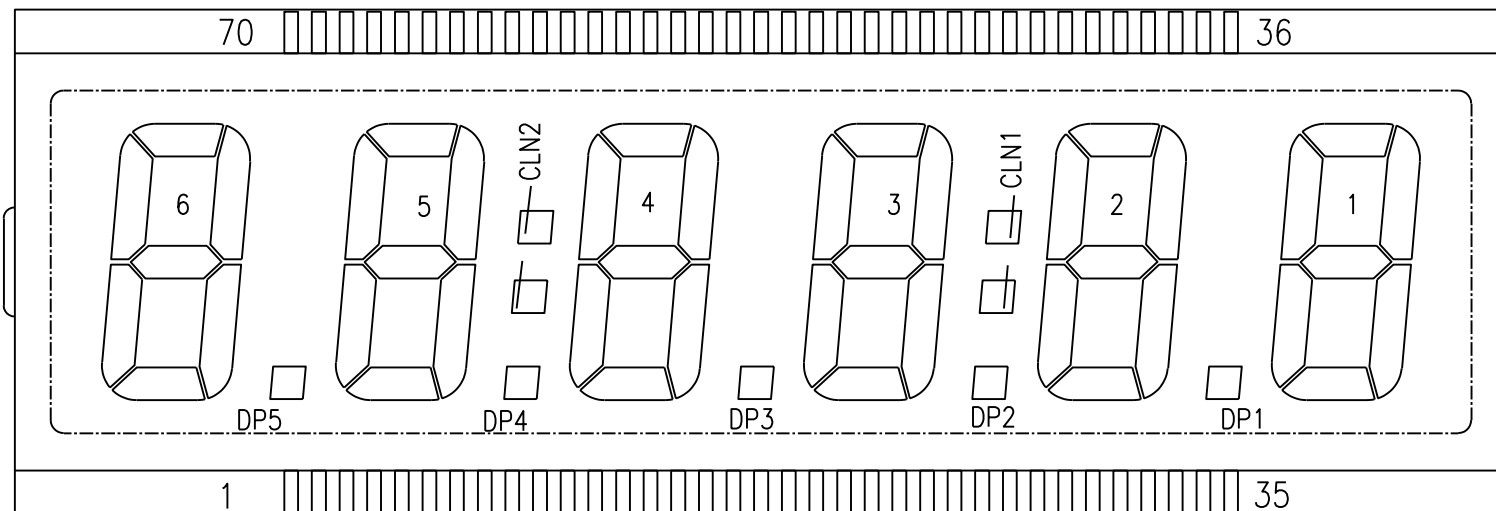
TOLERANCES UNLESS OTHERWISE SPECIFIED:±0.2

5. STORAGE TEMP:

-40°C~90°C

10. LCM NO:

4.0



PIN	1	2	3	4	5	6	7	8	9	10	11	12	13	14
COM	COM	6E	6D	6C	DP5	5E	5D	5C	DP4	4E	4D	---	---	---
PIN	15	16	17	18	19	20	21	22	23	24	25	26	27	28
COM	---	4C	---	DP3	3E	3D	---	---	---	3C	---	DP2	2E	2D
PIN	29	30	31	32	33	34	35	36	37	38	39	40	41	42
COM	---	---	2C	DP1	1E	1D	1C	1B	1A	1F	1G	2B	2A	2F
PIN	43	44	45	46	47	48	49	50	51	52	53	54	55	56
COM	2G	CLN1	---	3B	---	---	---	3A	3F	3G	---	---	4B	---
PIN	57	58	59	60	61	62	63	64	65	66	67	68	69	70
COM	---	4A	4F	4G	CLN2	5B	5A	5F	5G	6B	6A	6F	6G	COM



DALIAN QIYUN DISPLAY CO., LTD.

DESIGNED BY:

ZN

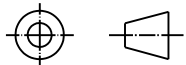
EDS139M(P)-11

VERSION: 1.0

NO. 3 OF 4

CHECKED BY:

HQM

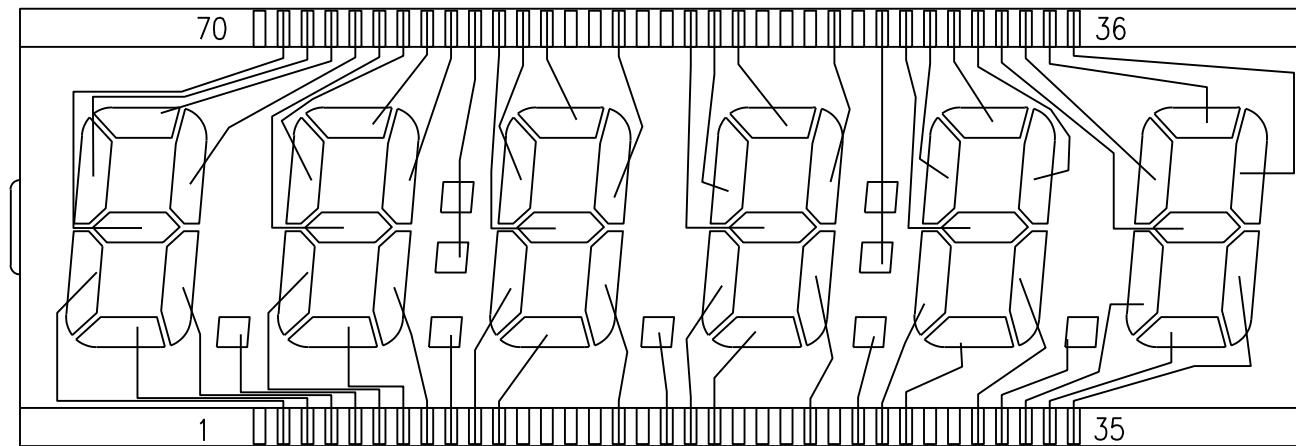


UNIT: mm

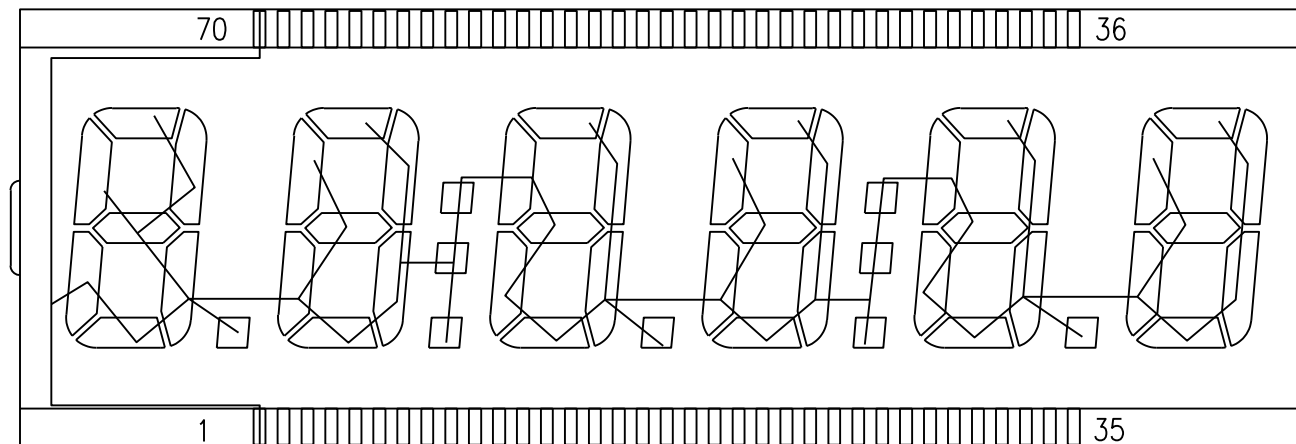
DATE: 2015-09-16

TOLERANCES UNLESS OTHERWISE SPECIFIED: ±0.2

SEG



COM



DALIAN QIYUN DISPLAY CO., LTD.

DESIGNED BY:

ZN

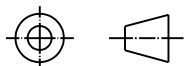
EDS139M(P)-11

VERSION: 1.0

NO. 4 OF 4

CHECKED BY:

HQM



UNIT: mm

DATE: 2015-09-16

TOLERANCES UNLESS OTHERWISE SPECIFIED: ± 0.2