

PDB-XT60

w/ BEC 5V & 12V

SKU: PDB-XT60

The PDB-XT60 has been engineered to provide the highest possible performance and reliability in a 36*50mm & 4 layers PCB. It distributes power from a LiPo pack to 6 ESCs, as well as providing synchronised & regulated DC 5V outputs & linear regulated DC 12V for powering Cameras, Servos, RC receiver, Flight Controllers, Video Transmitters, LEDs, etc. It offers a XT60 socket to connect the LiPo pack conveniently.

Features

- 2oz copper, 4-layers & 1.6mm PCB.
- Built-in XT60 Socket
- Total 6 pairs ESC solder tabs are fit for H or X type frame
- 5V & 12V Output LED indicators & Short circuit tolerant

Specifications

General:

- Input voltage range (3S-4S LiPo operation): 9 - 18V DC
- Regulated 5V and 12V outputs
- LED power indicators (5V & 12V outputs)
- 6 ESC outputs & 1 pair VCC/GND pads

ESC outputs:

- Continuous current: 25A*4 or 15A*6
- Peak current (10 seconds/minute): 30A*4 or 20A*6

BEC 5V output:

- Designed for RC Receivers, Flight controllers, OSD, and Servos.
- DC/DC synchronous buck regulator.
- Voltage: 5.0 +/- 0.1VDC
- Continuous current: 2 Amps (Max.2.5A 10s/minute)
- Output Ripple: 40mV (Vin=16V, VOut=5V@2A load)
- Short-circuit tolerant (5 seconds/minute)

BEC 12V output:

- Designed for Video TX or FPV camera with linear regulator.
- The battery should be 4S LiPo (13~18V DC)
- Voltage: 12.0 +/- 0.3VDC
- Continuous current: 500mA (Max.0.8A 5s/minute)
- Short-circuit tolerant (2 seconds/minute)

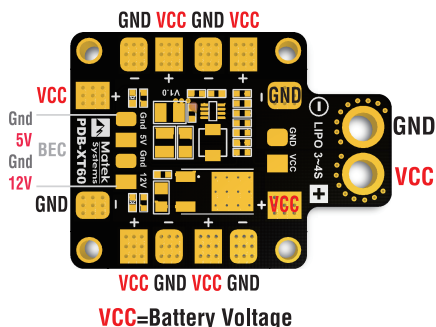
BEC 12V @ 3S LiPo

- Output voltage= 3S LiPo voltage -1V

Physical:

- Dimensions: 36 x 50 x 4 mm (without XT60)
- Mounting: 30.5 x 30.5mm, Φ3mm
- Weight: 7.5g(w/o XT60), 11g(w/ XT60)

Layout



Connections

