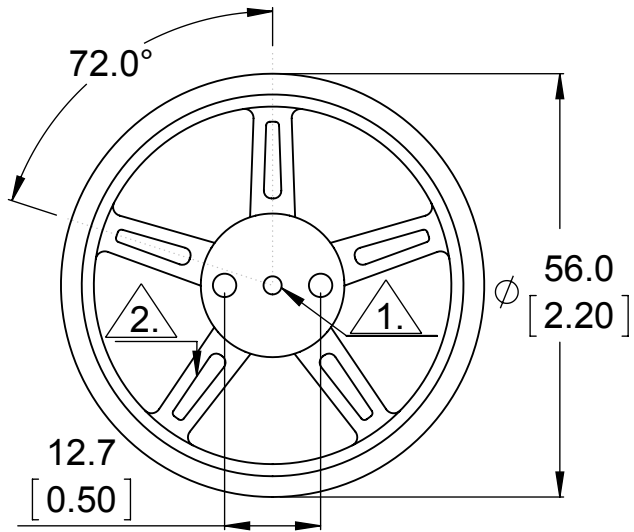
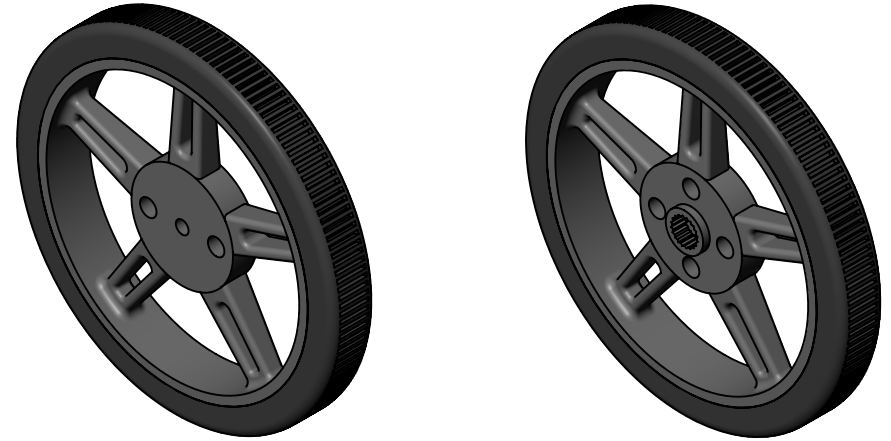




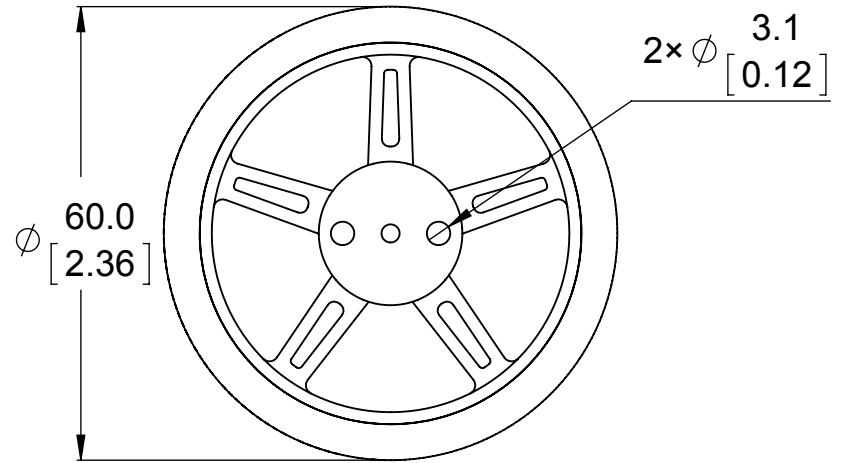
① Hub: top view
Scale 1:1



② Hub: front view
Scale 1:1



③ Wheel: isometric views
Scale 1:1



④ Wheel: front view
Scale 1:1

① Fits FEETECH FS90R micro continuous rotation servo spline.

② Mounting cutouts fit #2 screw.

3. To get the specified scale, select 100% in print settings.
