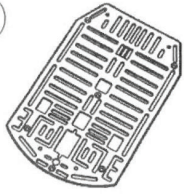
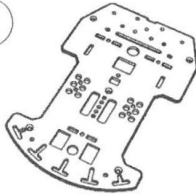
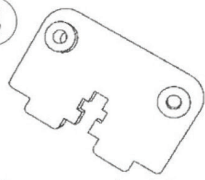
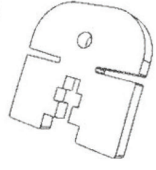
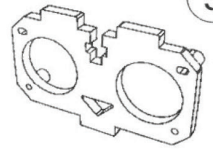

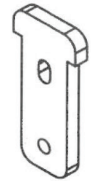
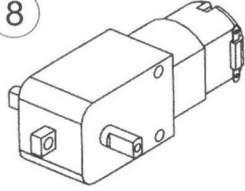
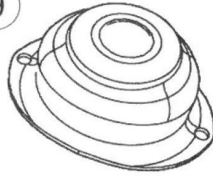

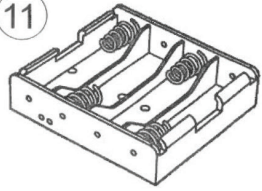
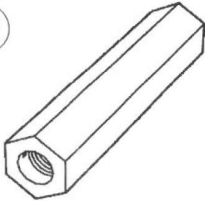
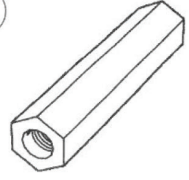
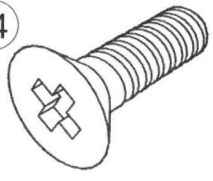
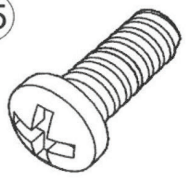
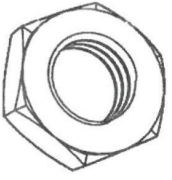
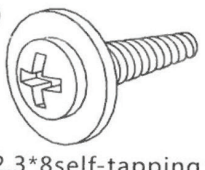
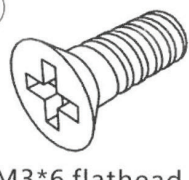
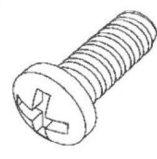



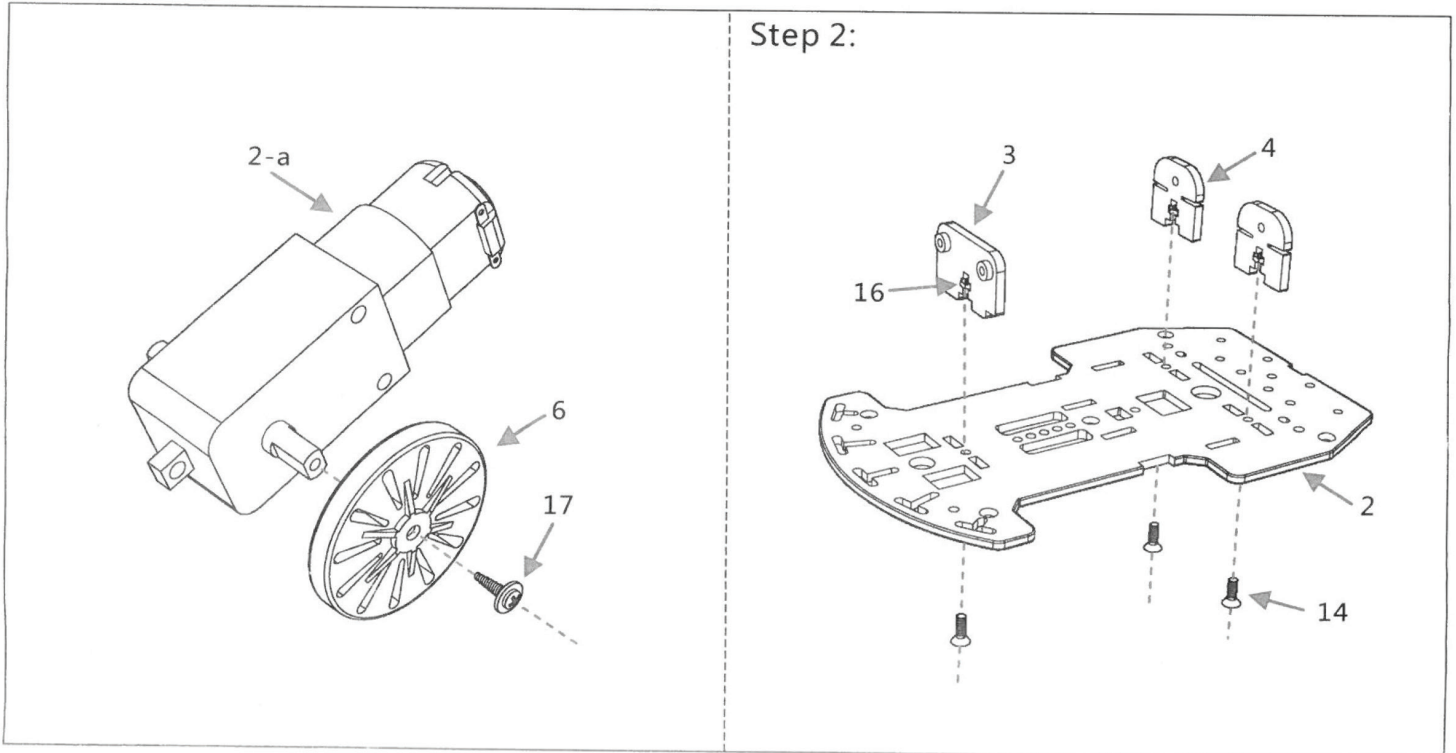
Magician Chassis

--DG007-P

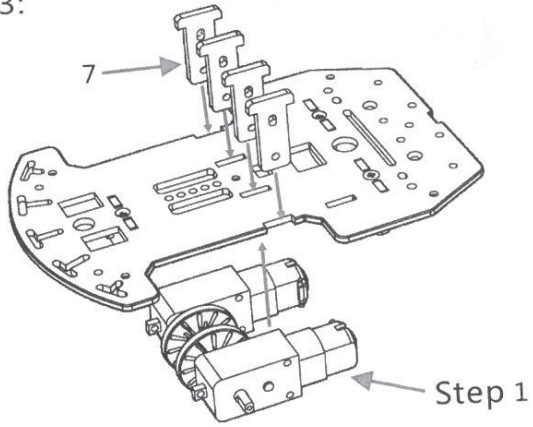
Partlist :

<p>1</p>  <p>Chassis-up 1PC</p>	<p>2</p>  <p>Chassis-bottom 1PC</p>	<p>3</p>  <p>IR sensor holder 1PCS</p>	<p>4</p>  <p>encoder holder 2PCS</p>	<p>5</p>  <p>Ultrasonic module holder 1PCS</p>
<p>6</p>  <p>Speed board holder 2PCS</p>	<p>7</p>  <p>Motor holder 4PCS</p>	<p>8</p>  <p>Motor 2PCS</p>	<p>9</p>  <p>Omni wheel 1PC</p>	<p>10</p>  <p>Wheel 2PCS</p>
<p>11</p>  <p>Battery holder 1PC</p>	<p>12</p>  <p>L30 spacer 2PCS</p>	<p>13</p>  <p>L25 spacer 5PCS</p>	<p>14</p>  <p>M3*10 flathead screw 6PCS</p>	<p>15</p>  <p>M3*8 screw 4PCS</p>
<p>16</p>  <p>M3 nut 10PCS</p>	<p>17</p>  <p>M2.3*8self-tapping screw with flange 2PCS</p>	<p>18</p>  <p>M3*6 flathead screw 12PCS</p>	<p>19</p>  <p>M3*6 screw 2PCS</p>	<p>20</p>  <p>M3*30 screw 4PCS</p>

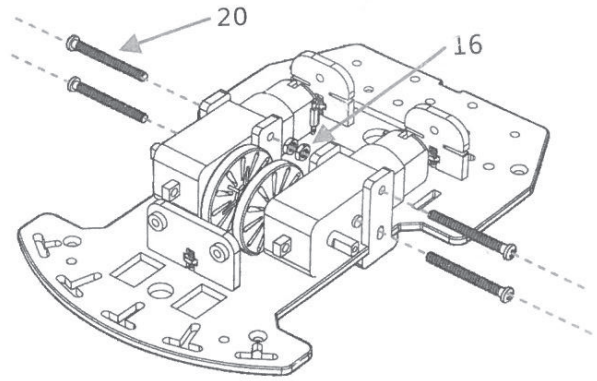
Assembly instruction:



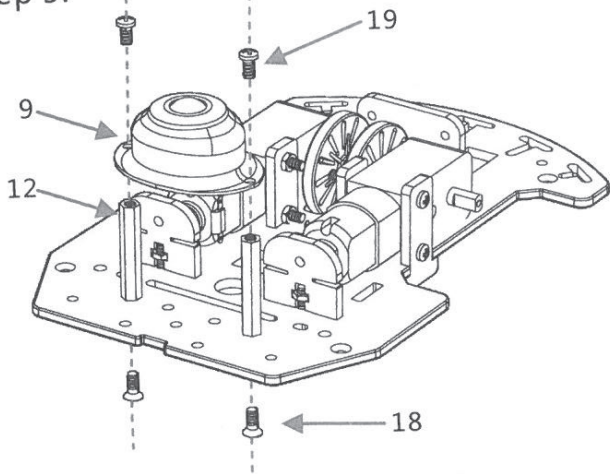
Step 3:



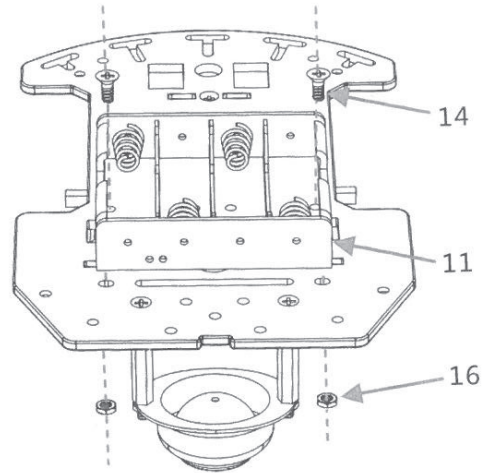
Step 4:



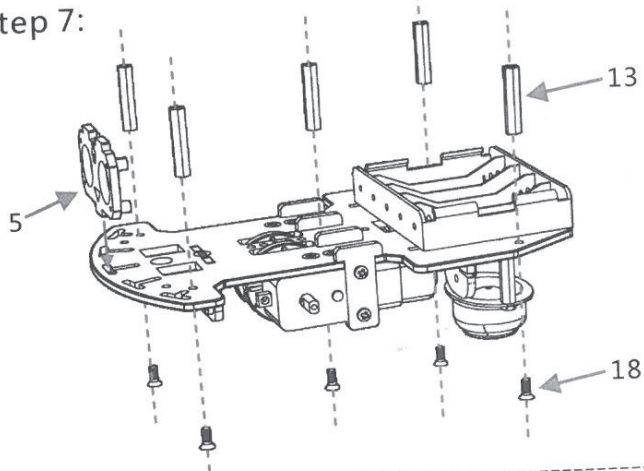
Step 5:



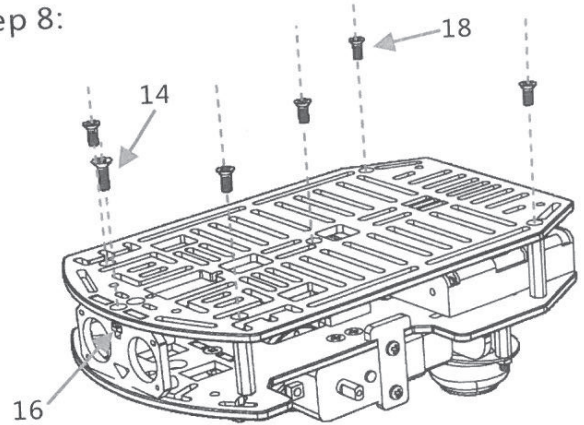
Step 6:



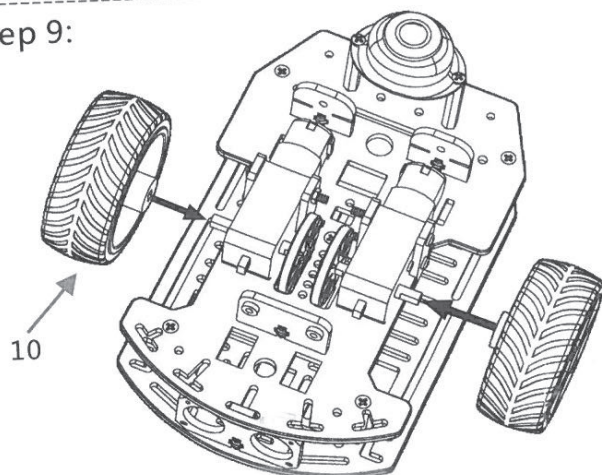
Step 7:



Step 8:



Step 9:



Finished

