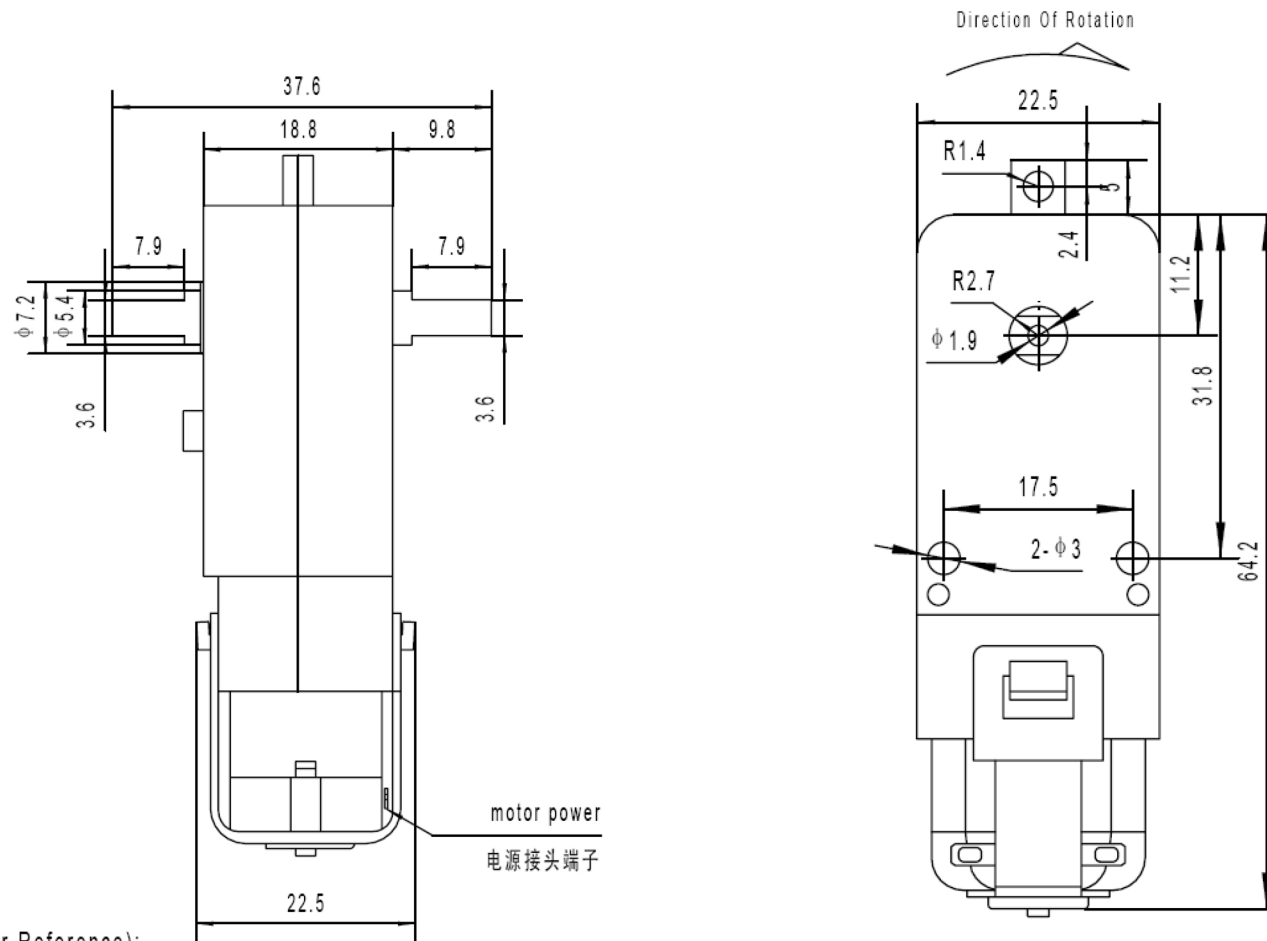


DG01D-A130GEARMOTOR



GEAR BOX Specification(For Reference):

Suggested Voltage: 4.5V DC

- 1、 No Load Speed: 90 ± 10 rpm
- 2、 No Load Current: 190mA (250mA MAX)
- 3、 Allowable max. Torque: 800gf.cm min