

**Light color : Red 、 Green 、 Blue、 Color**

**Absolute maximum rating ( Ta=25°C )**

- Reverse current : 100 μA
- Peak current ( duty=0.1,1KHz ) : 100 mA
- Operating/Storage temperature range : -30°C~ +85°C
- Derating linear from 25°C : 0.4 mA/°C
- Lead soldering temperature range : 260°C for 5 second

**Electro-optical characteristics ( TA=25°C )**

**RED COLOR :**

Parameter	Symbol	Min	Typ.	Max	Unit	Test Condition
Forward voltage	VF	❖	2.00	2.35	V	IF=20 mA
Luminous intensity	IV		600	❖	mcd	IF=20 mA
Peak emission wavelength	λ p		630	640	nm	❖
Half intensity angle	△Θ	❖	30	❖	deg	❖

**GREEN COLOR :**

Parameter	Symbol	Min	Typ.	Max	Unit	Test Condition
Forward voltage	VF	❖	3.0	3.5	V	IF=20 mA
Luminous intensity	IV		2000	❖	mcd	IF=20 mA
Peak emission wavelength	λ p		515	525	nm	❖
Half intensity angle	△Θ	❖	28	❖	deg	❖

**BLUE COLOR :**

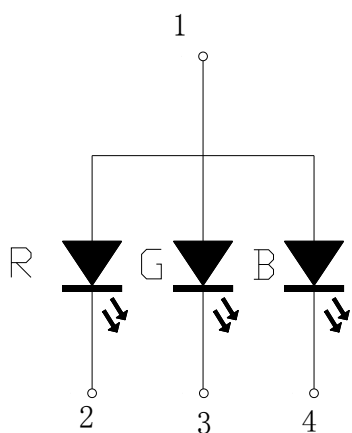
Parameter	Symbol	Min	Typ.	Max	Unit	Test Condition
Forward voltage	VF	❖	3.0	3.5	V	IF=20 mA
Luminous intensity	IV		1500	❖	mcd	IF=20 mA
Peak emission wavelength	λ p		460	470	nm	❖
Half intensity angle	△Θ	❖	28	❖	deg	❖

All specs and applications shown above subject to change without prior notice.

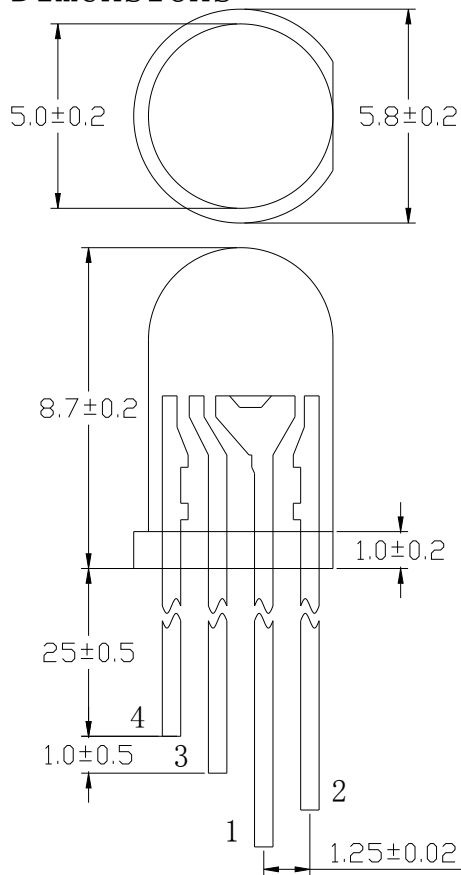
(以上电路及规格仅供参考，本公司可进行修正)

Application diagram or Dimensions

Application Diagram



Dimensions



Note:  
Unit:mm  
1:Anode  
2:R  
3:G  
4:B

All specs and applications shown above subject to change without prior notice.  
(以上电路及规格仅供参考，本公司可进行修正)