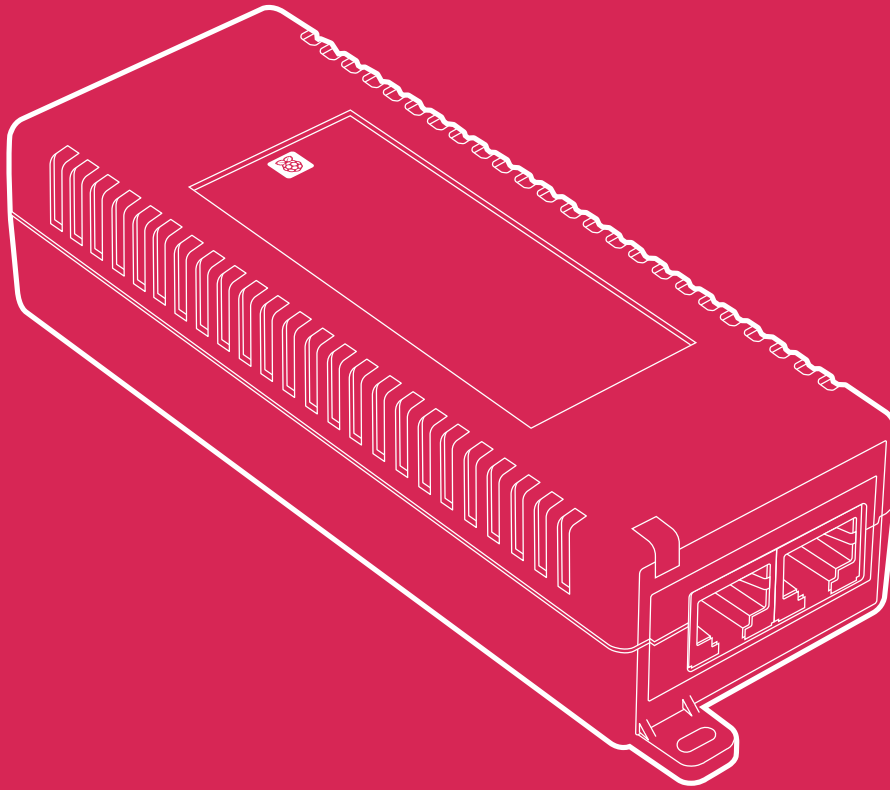




# Raspberry Pi PoE+ Injector

Published March 2025



## Overview



The Raspberry Pi PoE+ Injector adds Power-over-Ethernet (PoE) functionality to a single port of a non-PoE Ethernet switch, delivering both power and data through a single Ethernet cable. It offers a plug-and-play, cost-effective way to incrementally introduce PoE power delivery capability into pre-existing Ethernet networks.

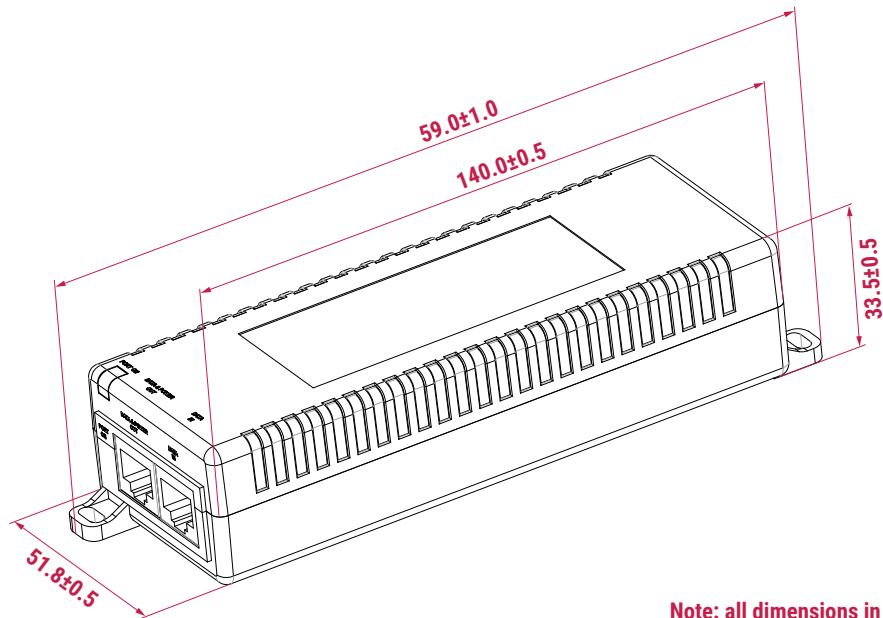
The PoE+ Injector is a single-port 30W injector suitable for powering devices that conform to the IEEE 802.3af and 802.3at specifications, including all generations of Raspberry Pi PoE HAT. It supports network pass-through at 10/100/1000 Mbps speeds. A separate IEC mains lead is required for operation (not included).

## Specification

<b>Data rate:</b>	10/100/1000 Mbps
<b>Input voltage:</b>	100–240 V AC
<b>Output power:</b>	30W
<b>Power output on pins:</b>	4/5 (+), 7/8 (-)
<b>Nominal output voltage:</b>	55 V DC
<b>Dimensions:</b>	159 mm (L) × 51.8 mm (W) × 33.5 mm (H)
<b>Data connectors:</b>	Shielded RJ-45, EIA 568A and 568B
<b>Power connector:</b>	IEC c13 mains power input (not included)
<b>Operating ambient temperature:</b>	-10°C to +50°C
<b>Operating humidity:</b>	Maximum 90%, non-condensing
<b>Storage temperature:</b>	-20°C to +70°C
<b>Storage humidity:</b>	Maximum 95%, non-condensing
<b>Operating altitude:</b>	-300m to 3000m
<b>MTBF<sup>1</sup>:</b>	200 000 hrs @ 25°C
<b>Production lifetime:</b>	The Raspberry Pi PoE+ Injector will remain in production until at least January 2034
<b>Compliance:</b>	For a full list of local and regional product approvals, please visit <a href="http://pip.raspberrypi.com">pip.raspberrypi.com</a>
<b>List price:</b>	<b>\$25</b>

<sup>1</sup> Mean Time Between Failure

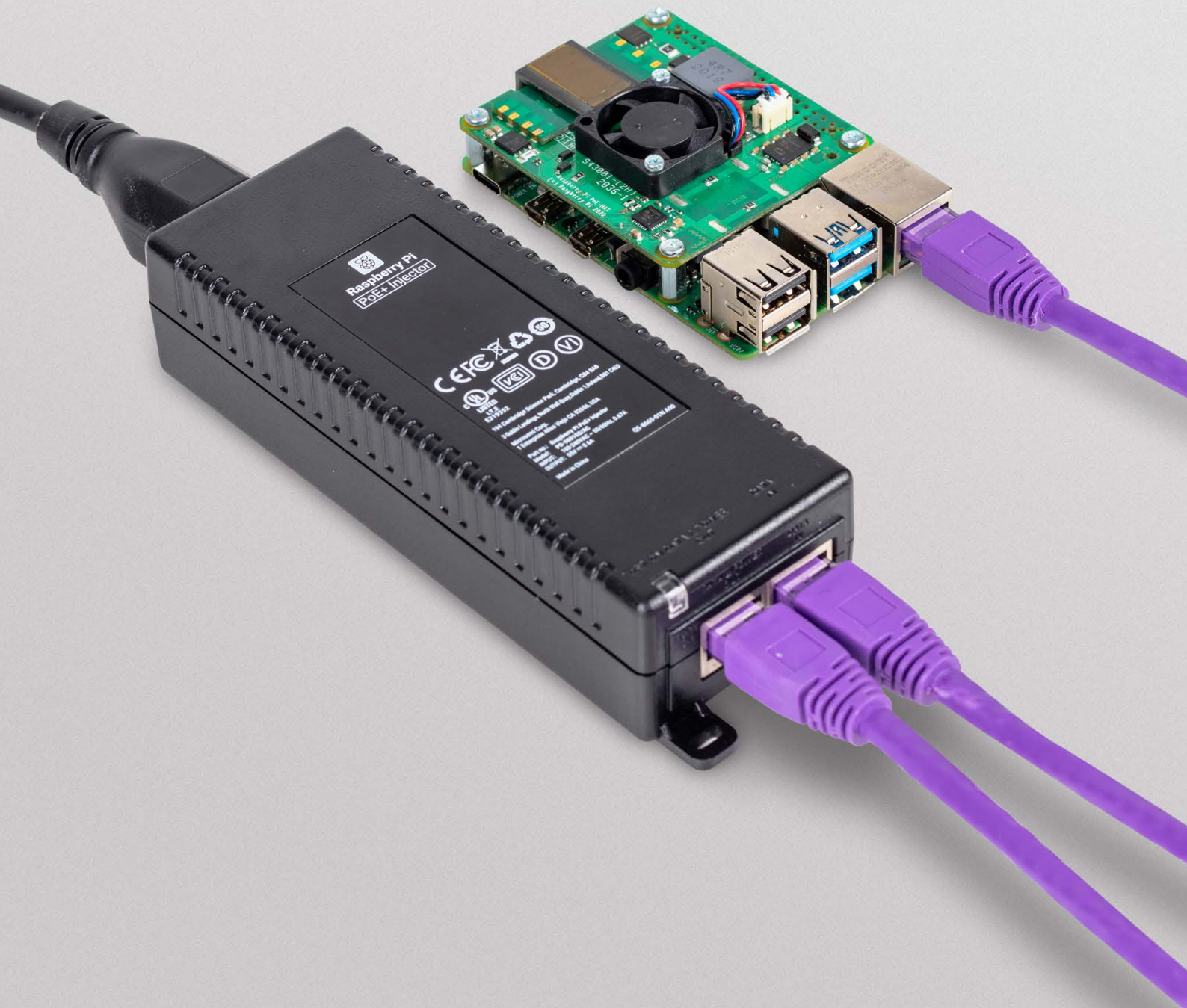
## Physical specification



Note: all dimensions in mm

### WARNINGS

- This product should be operated in a well ventilated environment.
- The connection of incompatible devices to this power supply may affect compliance, result in damage to the unit, and invalidate the warranty.
- Do not expose to water or moisture.
- Do not attempt to open or remove the PoE+ Injector case.





Raspberry Pi is a trademark of Raspberry Pi Ltd

---