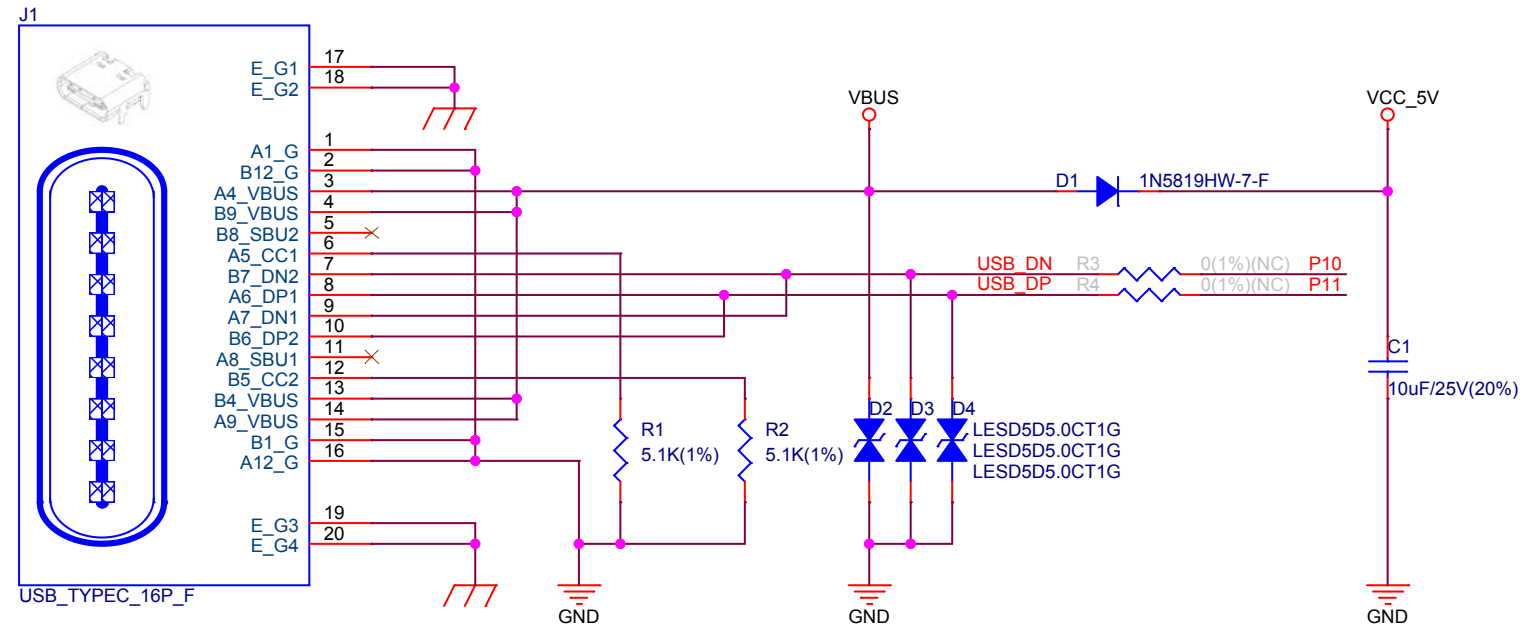
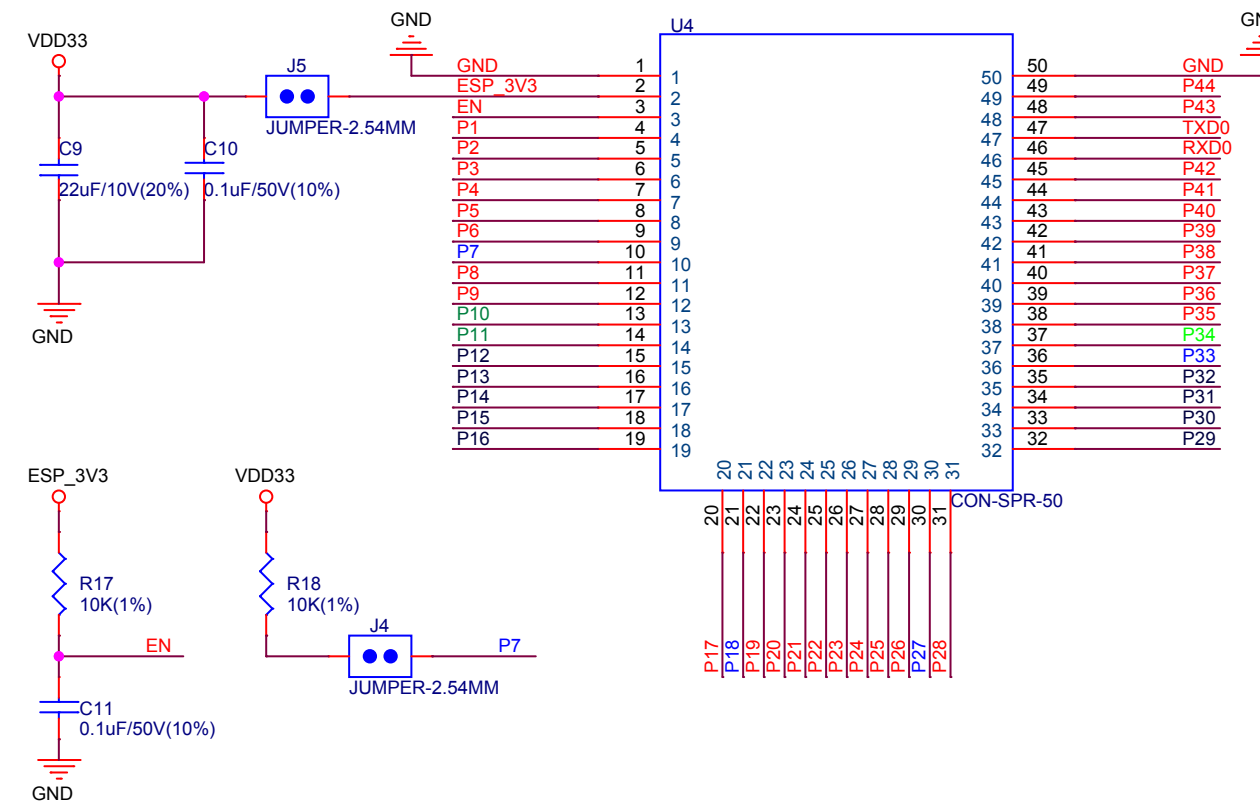


USB:



Module:



P7 is IO8 for C6, H2, H4.

P10 and P11 are USB for S2, S3, C6, H2, H4.

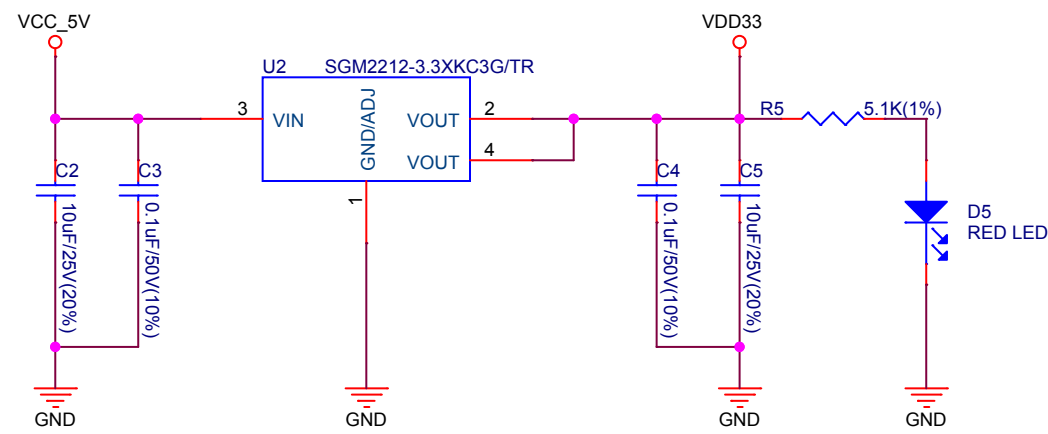
P18 is IO46 for S2, S3.

P27 is IO2 for 32D, 32U, SOLO-1, 32E, 32UE.

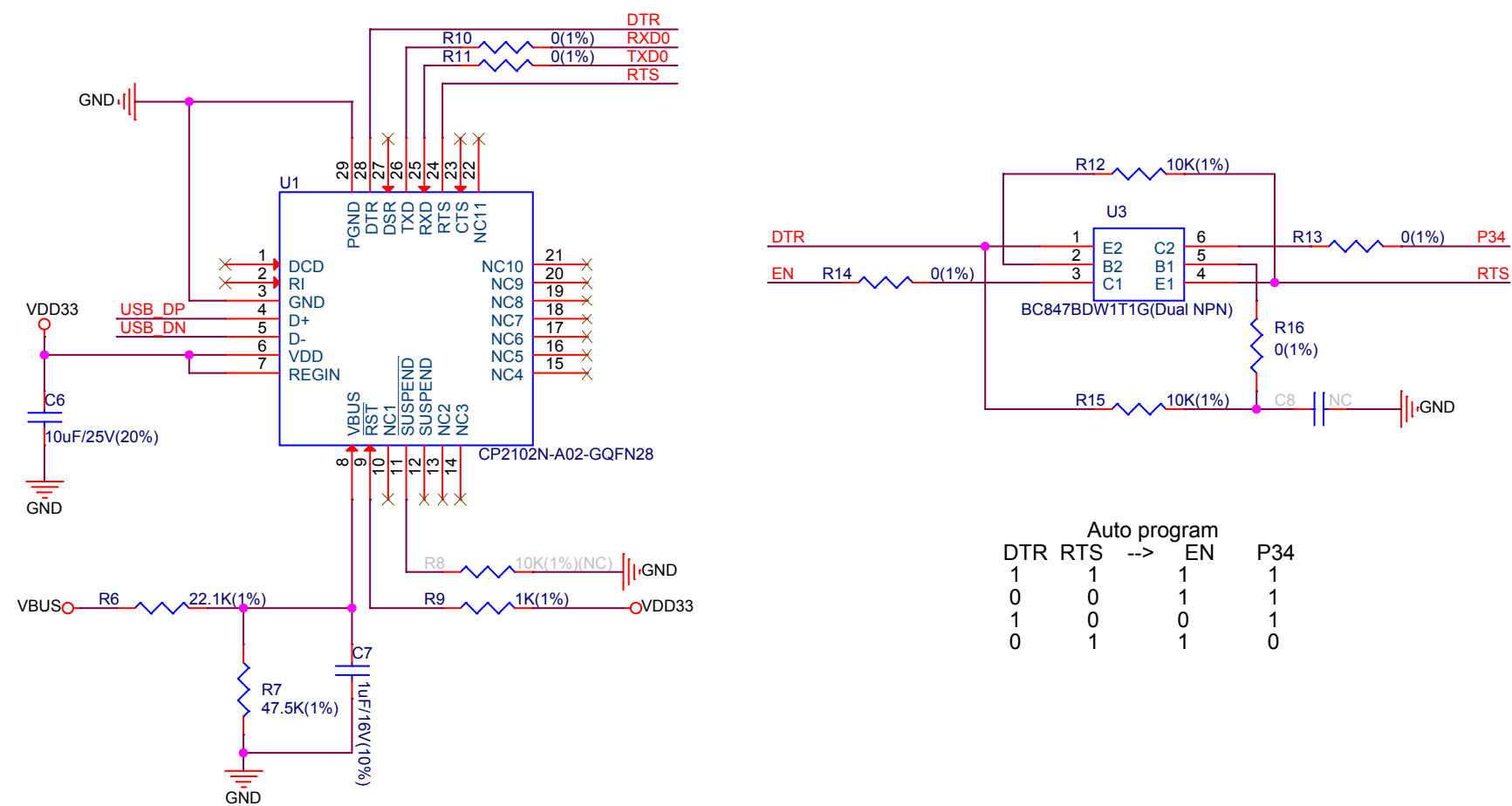
P33 is IO2 for WROVER-(I)B, WROVER-(I)E.

P34 is IO0 for 32, S2, S3, and is IO9 for C6, H2, H4.

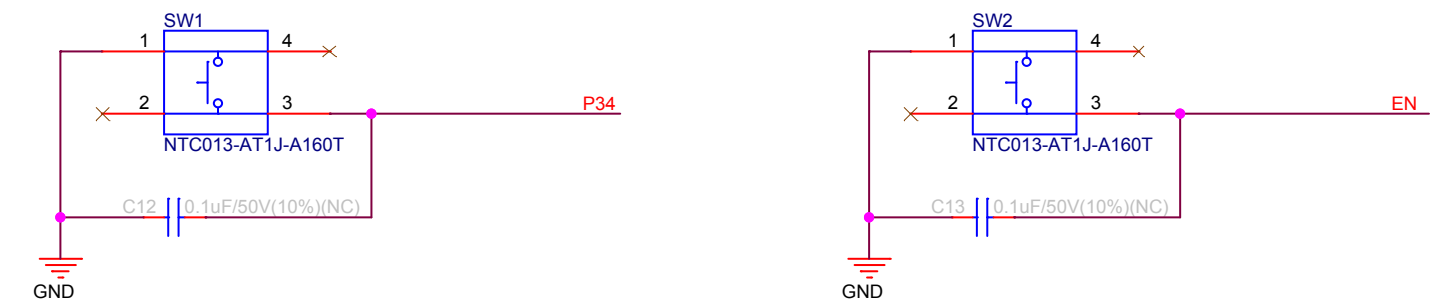
Power Regulator:



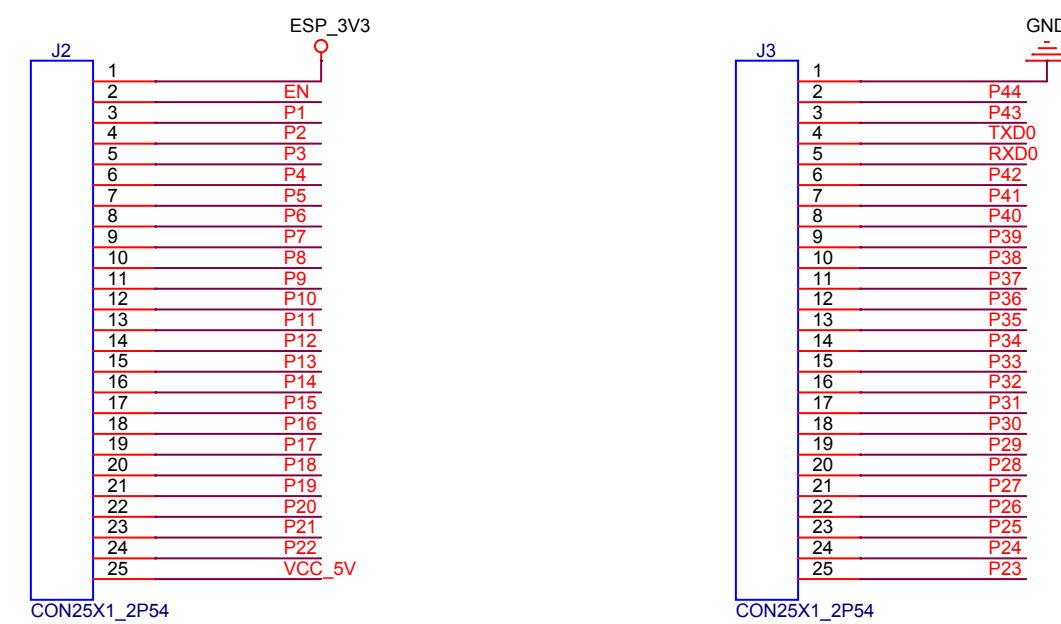
UART & Auto Download:



Button:



Pin Header:



ESPRESSIF

乐鑫信息科技(上海)股份有限公司

Title

ESP-Module-Prog-1

Size

Page Name

<ESP-Module-Prog-1>

C

Rev

1.1

Date:

Friday, February 10, 2023

Sheet

1 of 1

Confidential and Proprietary