

六合一的教育性太阳能装备

6 in 1 Educational Solar Kit

产品介绍 Product Introduction:

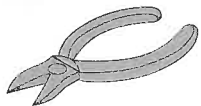
机器人、风车、飞机、小车、直升机、汽艇，同时拥有这六种变幻的装备是孩子们共同的心愿，可如何在拥有资源的同时达到低碳和环保却是所有地球人应该承担的社会责任。第三代六合一太阳能变幻装备，以太阳能为能源，在孩子们实现梦想的同时将智力、动手能力和环保意识融为一体，是家长和孩子最明智的选择！这是孩子们自己动手组装的太阳能套件，变换成太阳能开动电机可以驱动的6种不同类型！

To own robot, wheeler, windmill, plane, helicopter and airboat, That's the great wish for all the children. To obtain them as long as to be mild and environmental That's the responsibility for all people in the world. Here it is -- the 6 in 1 solar kit. It can combine the science knowledge, practice ability with environment protection while building 6 different models. 6 in 1 solar kit -- parents and children's sensible choice! This DIY Solar Kit enables children assembling the parts and transforming into six (6) different types of motor-driven apparatus actuated by Solar Power!




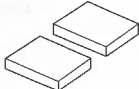

需要的工具 Tool You May Need:

剪钳

Diagonal Cutter



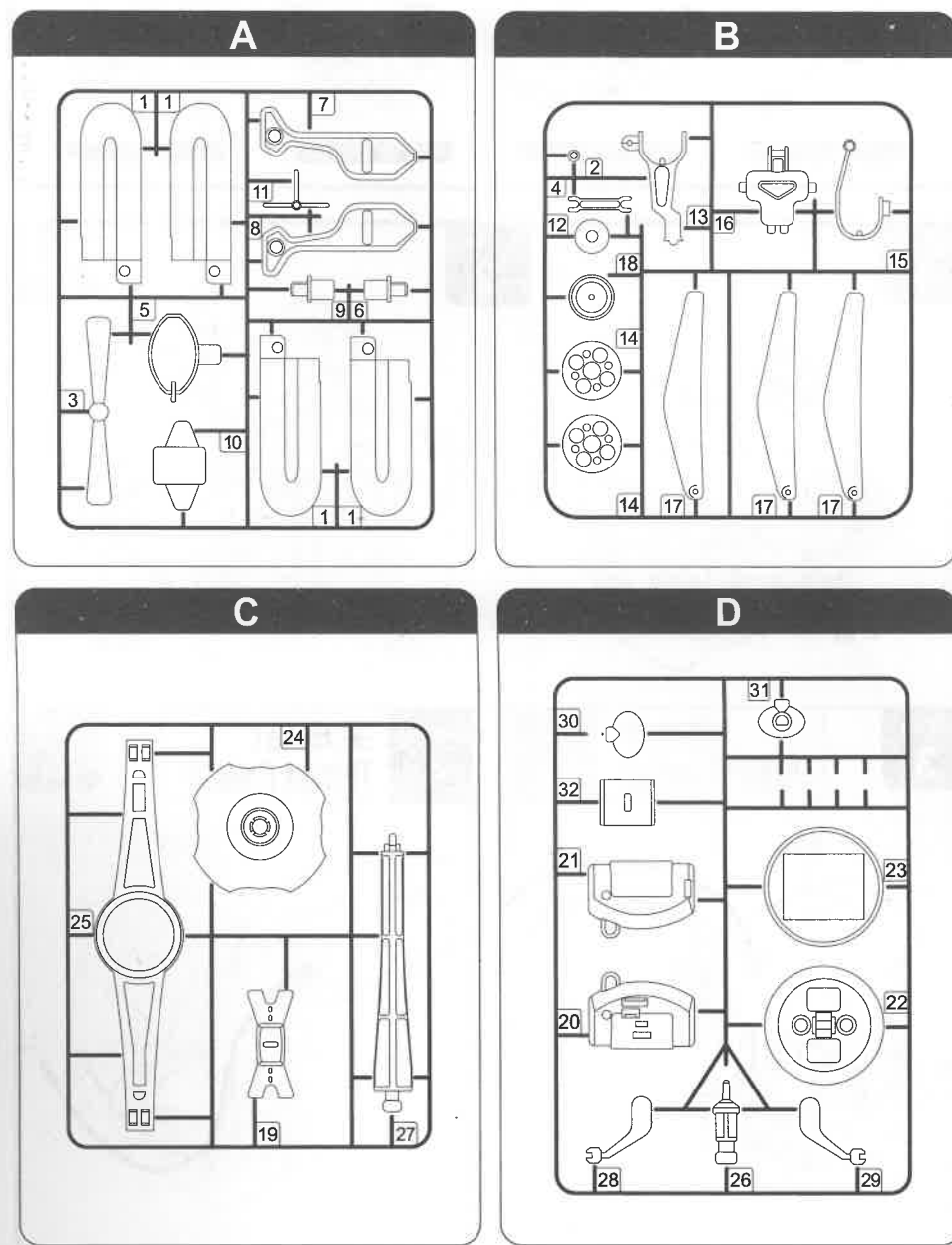
机械零件清单 Mechanical Parts List:

<p>P1 太阳能电池板 Solar Panel</p>  <p>数量 Qty 1</p>	<p>P2 齿轮轴 B Gear With Shaft B</p>  <p>数量 Qty 1</p>	<p>P3 齿轮轴 A Gear With Shaft A</p>  <p>数量 Qty 1</p>
<p>P4 粘帖海绵 Adhesive Sponge</p>  <p>数量 Qty 1</p>	<p>P5 马达 Motor</p>  <p>数量 Qty 1</p>	

塑料零件 Plastic Parts:

按装配顺序逐渐剪下相应编号胶件。

Cut up the plastic parts in succession as shown.



变速器A Gear Box A Assembly:

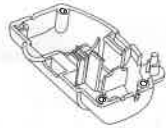
部件 Parts Required



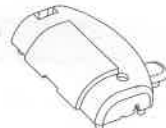
P3



P5



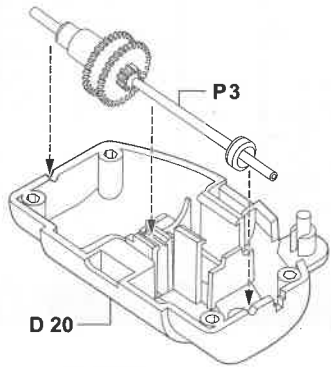
D20



D21

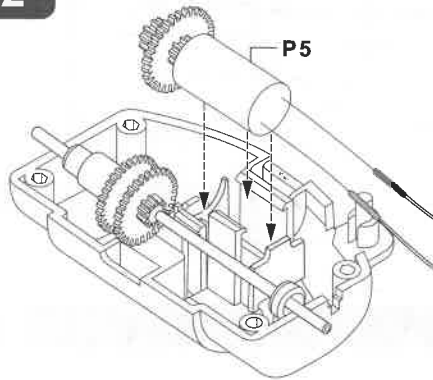
步骤 STEP

1



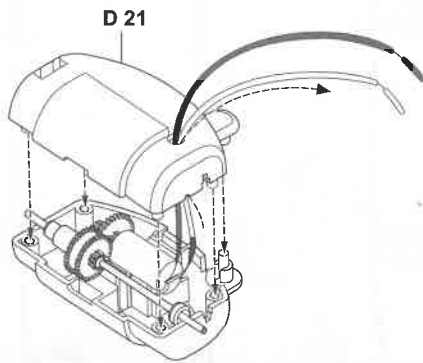
步骤 STEP

2



步骤 STEP

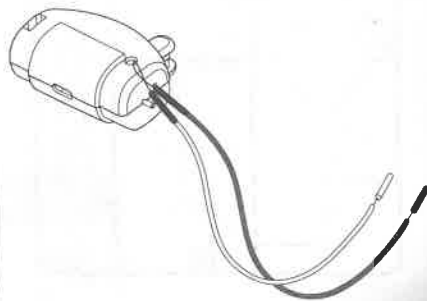
3



步骤 STEP

4

完成品!
Finished Product!



变速器B Gear Box B Assembly:

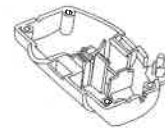
部件 Parts Required



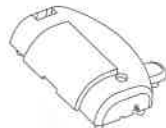
P2



P5



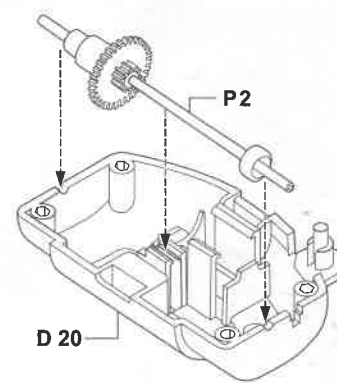
D20



D21

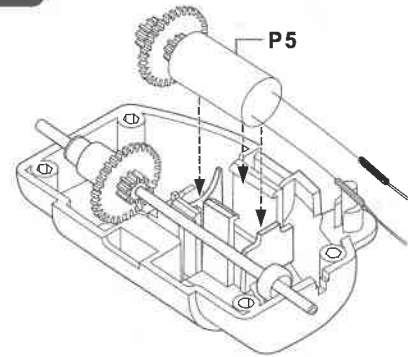
步骤 STEP

1



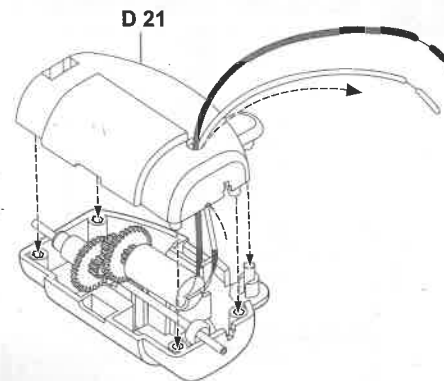
步骤 STEP

2



步骤 STEP

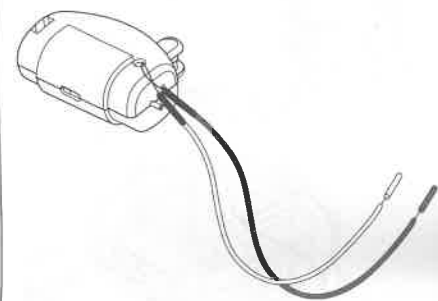
3



步骤 STEP

4

完成品!
Finished Product!

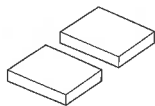


太阳能电池组件装配 Solar Module Assembly:

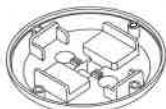
部件 Parts Required



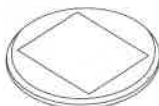
P1



P4



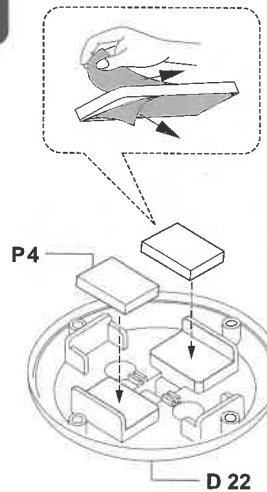
D22



D23

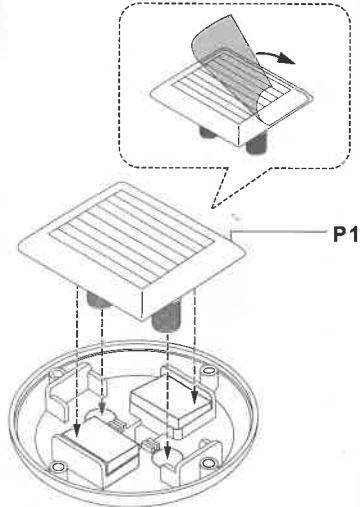
步骤 STEP

1



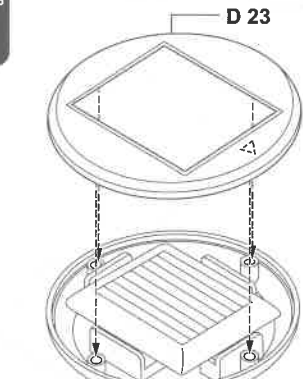
步骤 STEP

2



步骤 STEP

3

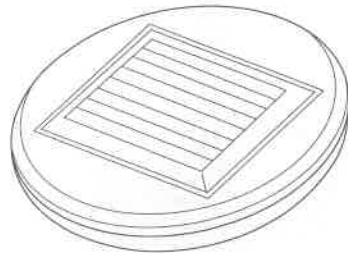


按三角形标志对合装配。
Install as the triangle shows.

步骤 STEP

4

完成品 Finished Product !

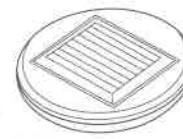


如何操作 How To Work The Gear Box:

部件 Parts Required



变速器 Gear Box

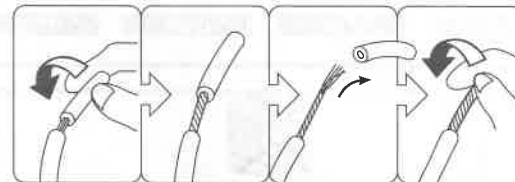


太阳能电池组件 Solar Module

步骤 STEP

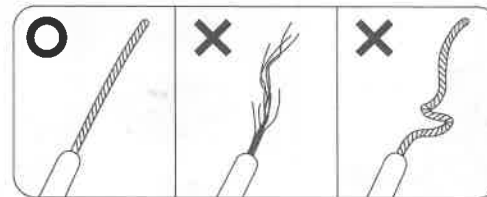
1

电线扭在一起:
Twist stripped wires:



步骤 STEP

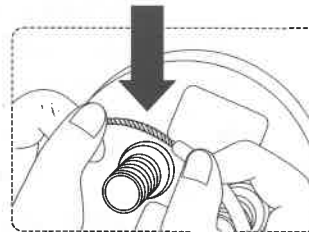
2



步骤 STEP

3

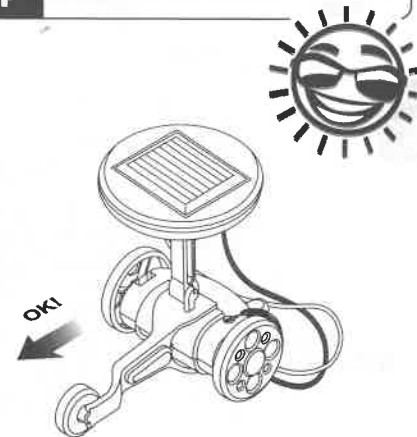
变速器 GEAR BOX 连接 CONNECT 太阳能电池组件 SOLAR MODULE



步骤 STEP

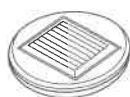
4

完成品 Finished Product !

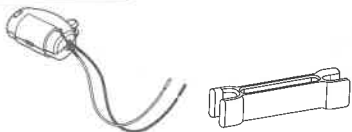


太阳能机器人 Solar Robot

部件 Parts Required



太阳能电池组件
Solar Module



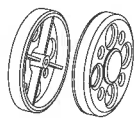
变速器A Gear Box A



B 4



B 12



B 14



B 15



B 16



D 29



D 28



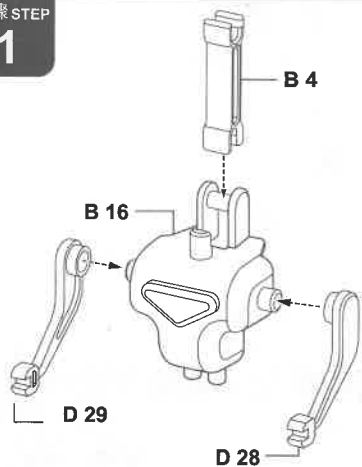
D 30



D 31

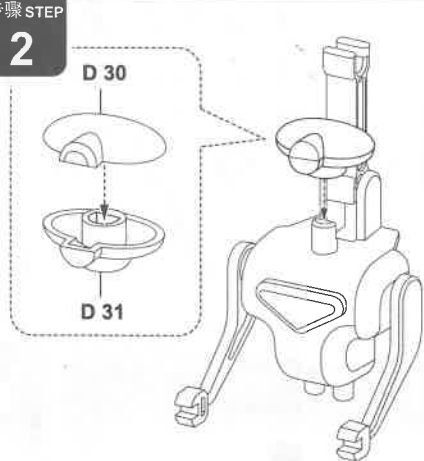
步骤 STEP

1



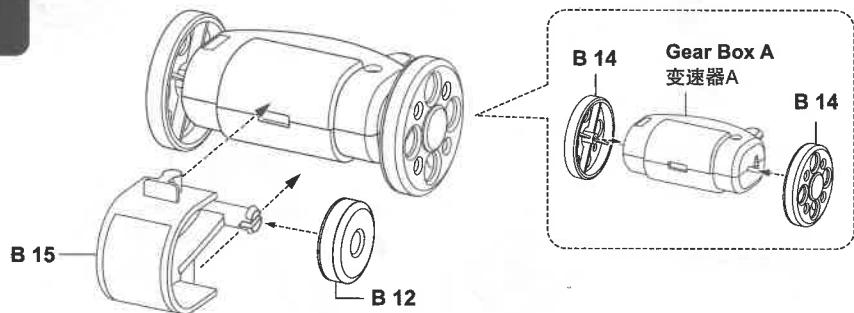
步骤 STEP

2



步骤 STEP

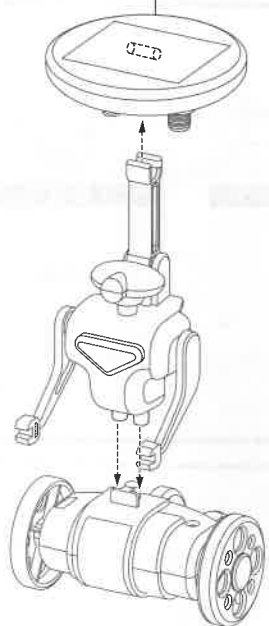
3



步骤 STEP

4

Solar Module
太阳能电池组件



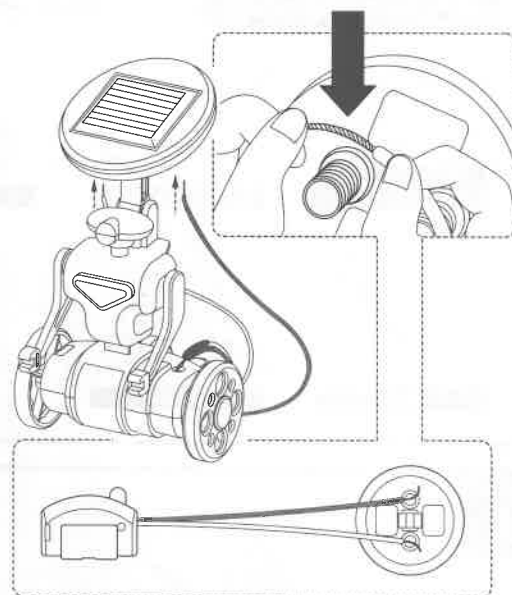
步骤 STEP

5

变速器
GEAR BOX

连接
CONNECT

太阳能电池组件
SOLAR MODULE



步骤 STEP

6

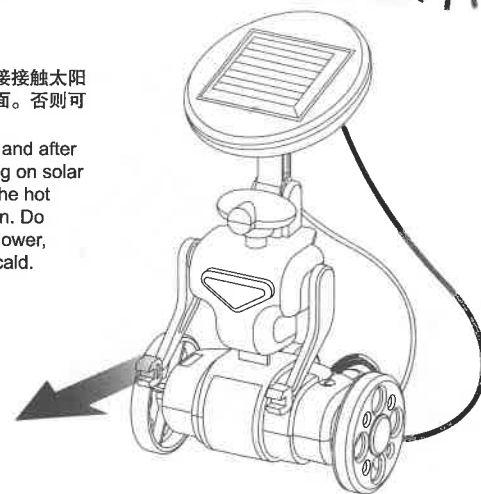
完成品 Finished Product !



警告!
WARNING!

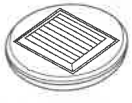
在强烈的太阳光照下，不能直接接触太阳能板，不能马上接触电机热表面。否则可能会导致烫伤的危险。

Can't direct contact the during and after light and strong sunlight lighting on solar plane. Can't instantly contact the hot surface of motor after operation. Do make sure the temperature is lower, otherwise may cause risk of scald.



太阳能车 Solar Wheeler

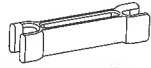
部件 Parts Required



太阳能电池组件
Solar Module



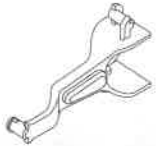
变速器A Gear Box A



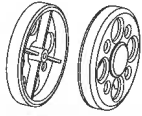
B 4



B 12



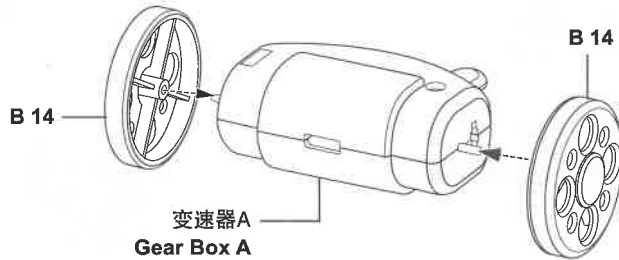
B 13



B 14

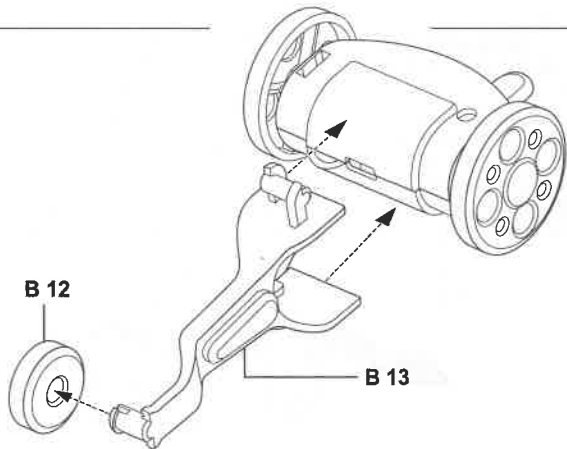
步骤 STEP

1



步骤 STEP

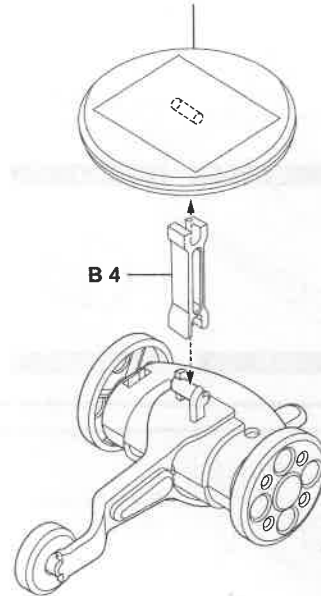
2



步骤 STEP

3

Solar Module
太阳能电池组件



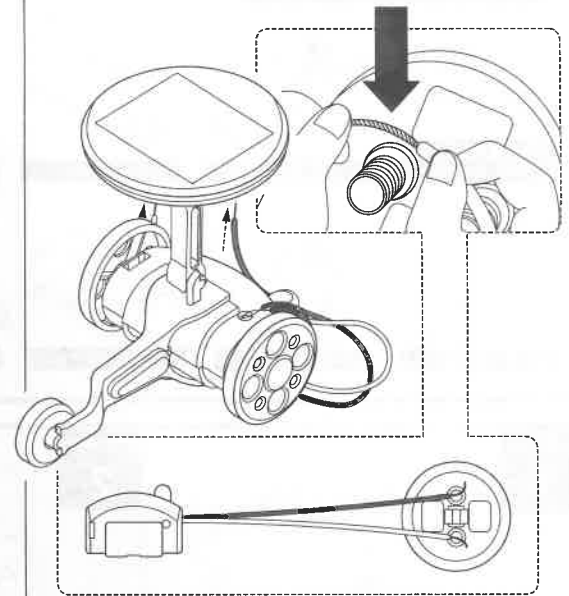
步骤 STEP

4

变速器
GEAR BOX

连接
CONNECT

太阳能电池组件
SOLAR MODULE



步骤 STEP

5

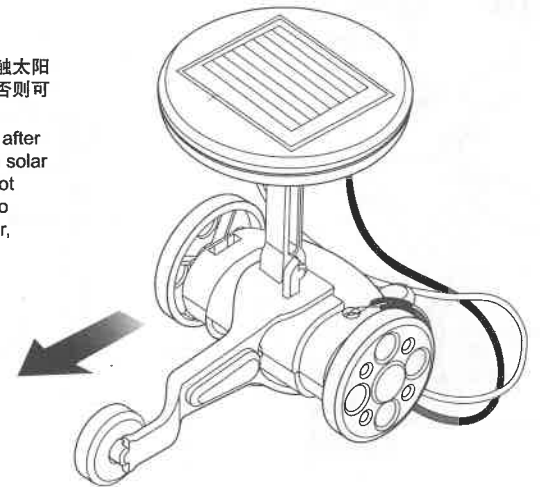
完成品 Finished Product!



警告!
WARNING!

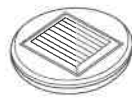
在强烈的太阳光照下，不能直接接触太阳能板，不能马上接触电机热表面。否则可能会导致烫伤的危险。

Can't direct contact the during and after light and strong sunlight lighting on solar plane. Can't instantly contact the hot surface of motor after operation. Do make sure the temperature is lower, otherwise may cause risk of scald.



太阳能风车 Solar Windmill

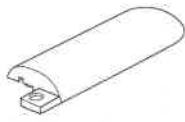
部件 Parts Required



太阳能电池组件
Solar Module



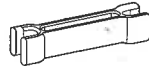
变速器B Gear Box B



A 1 × 4



B 2



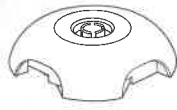
B 4



B 17 × 3



B 18



C 24



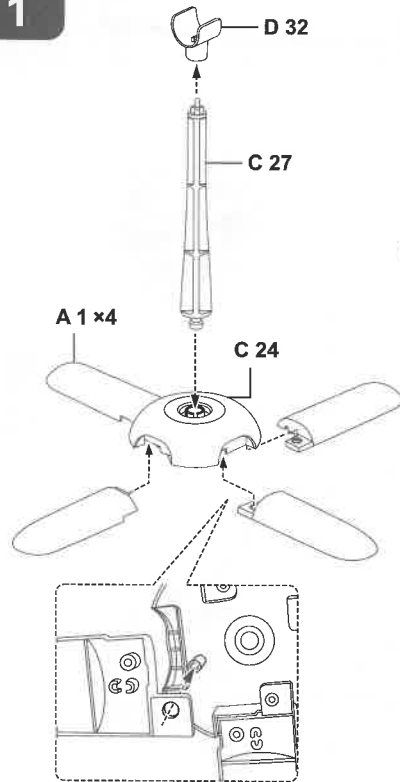
C 27



D 32

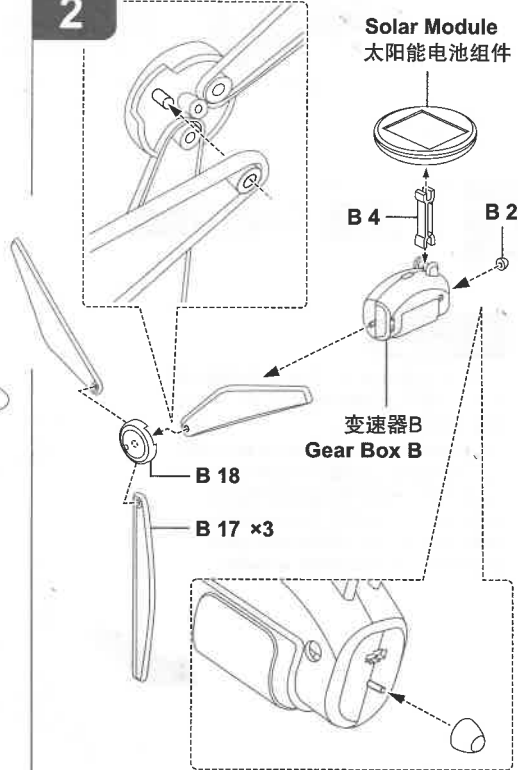
步骤 STEP

1



步骤 STEP

2



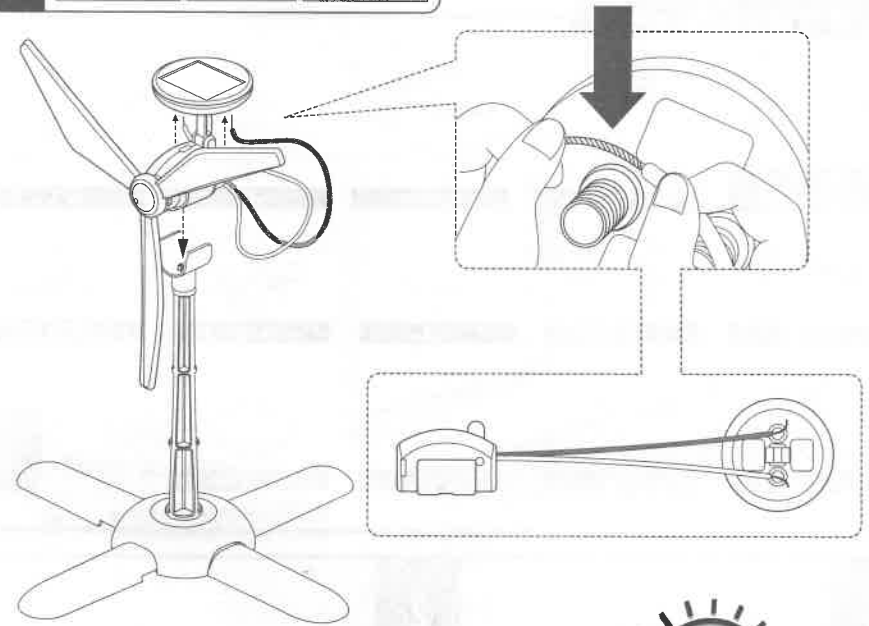
步骤 STEP

3

空速箱
GEAR BOX

连接
CONNECT

太阳能电池组件
SOLAR MODULE



步骤 STEP

4

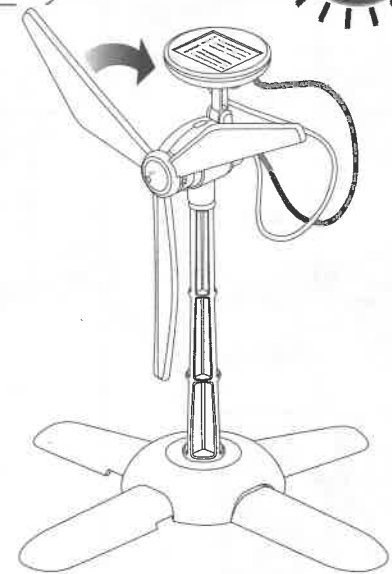
完成品 Finished Product!



警告!
WARNING!

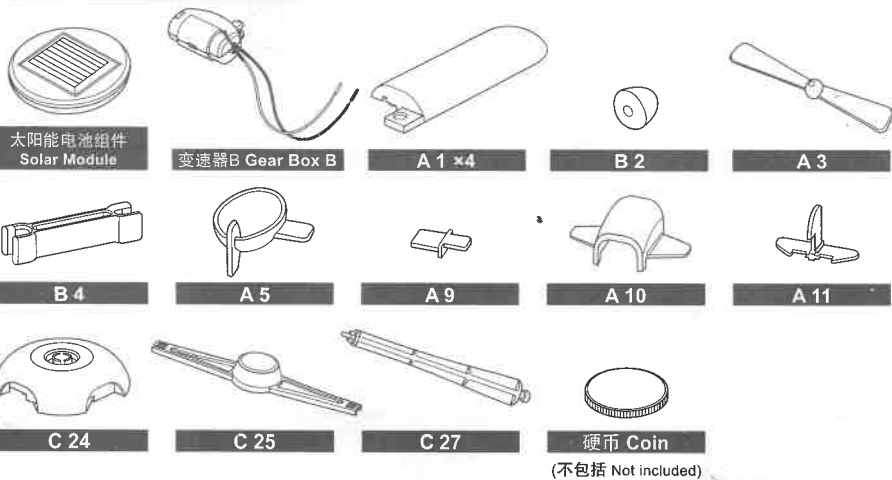
在强烈的太阳光照下，不能直接接触太阳能板，不能马上接触电机热表面。否则可能会导致烫伤的危险。

Can't direct contact the during and after light and strong sunlight lighting on solar plane. Can't instantly contact the hot surface of motor after operation. Do make sure the temperature is lower, otherwise may cause risk of scald.

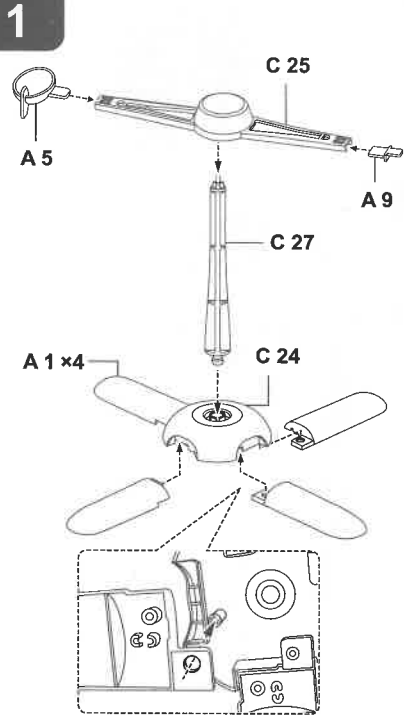


太阳能飞机 Solar Plane

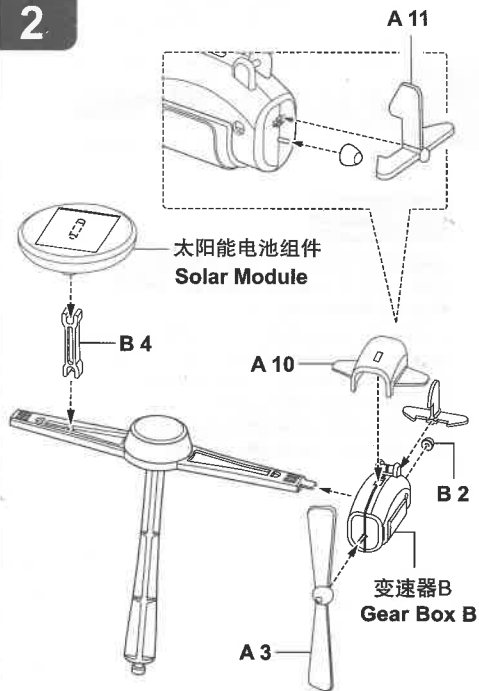
部件 Parts Required



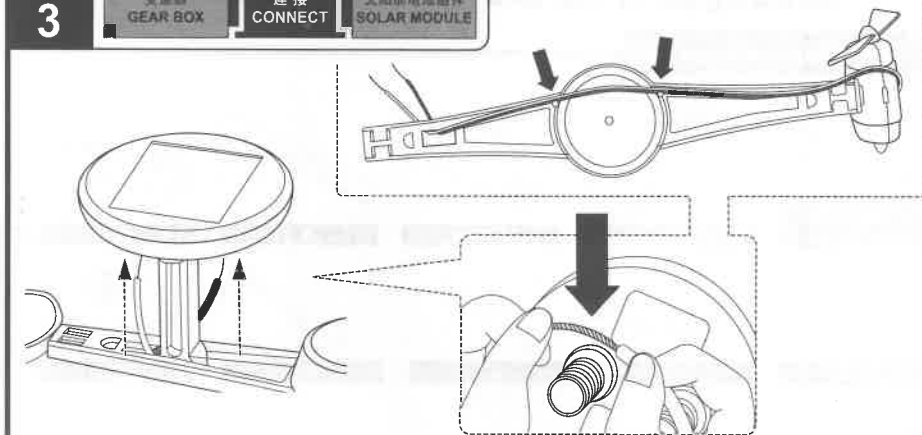
步骤 STEP 1



步骤 STEP 2

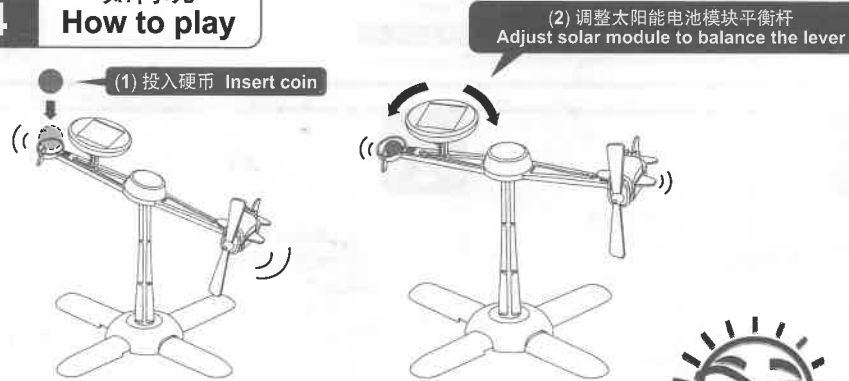


步骤 STEP 3



步骤 STEP 4

如何玩 How to play



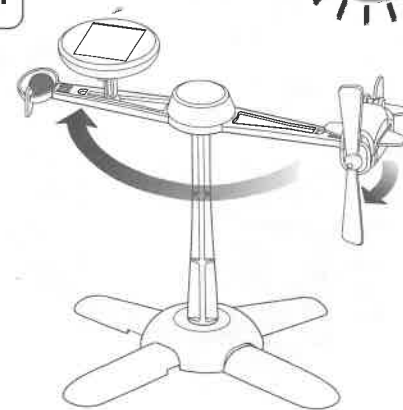
步骤 STEP 5

完成品 Finished Product !



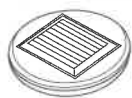
在强烈的太阳光下，不能直接接触太阳能板，不能马上接触电机热表面。否则可能会导致烫伤的危险。

Can't direct contact the during and after light and strong sunlight lighting on solar plane. Can't instantly contact the hot surface of motor after operation. Do make sure the temperature is lower, otherwise may cause risk of scald.



太阳能直升机 Solar Helicopter

部件 Parts Required



太阳能电池组件
Solar Module



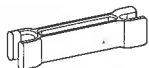
变速器B Gear Box B



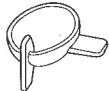
A 1 × 4



A 3



B 4



A 5



A 6



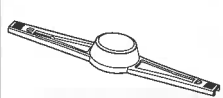
A 7



A 8



C 24



C 25



C 26

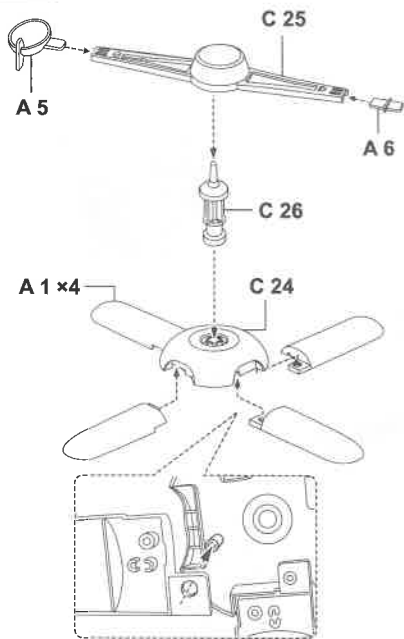


硬币 Coin

(不包括 Not included)

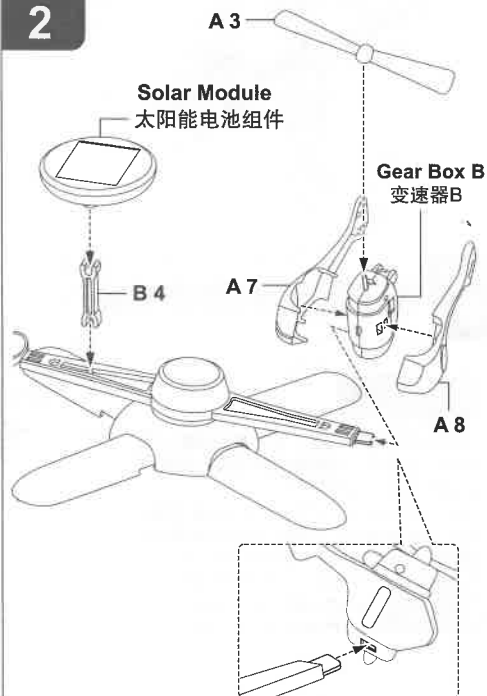
步骤 STEP

1



步骤 STEP

2



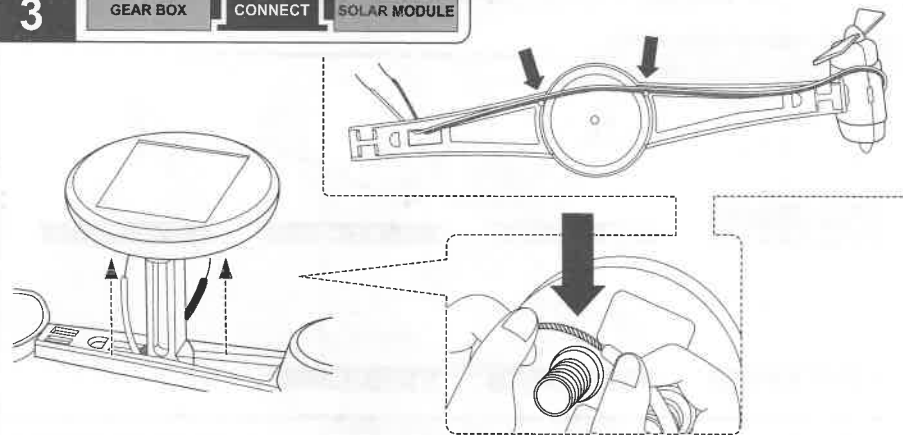
步骤 STEP

3

变速器
GEAR BOX

连接
CONNECT

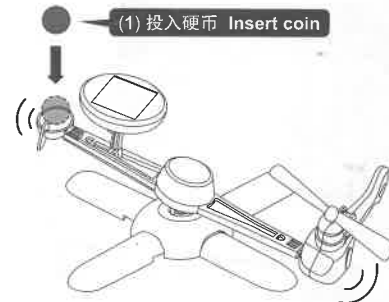
太阳能电池组件
SOLAR MODULE



步骤 STEP

4

如何玩 How to play



(1) 投入硬币 Insert coin



(2) 调整太阳能电池模块平衡杆
Adjust solar module to balance the lever

步骤 STEP

5

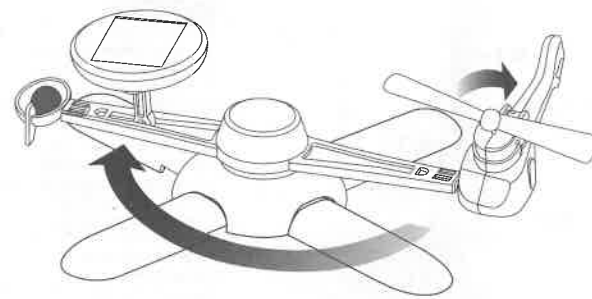
完成品 Finished Product!



警告!
WARNING!

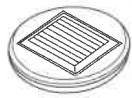
在强烈的太阳光照下，不能直接接触太阳能板，不能马上接触电机热表面。否则可能会导致烫伤的危险。

Can't direct contact the during and after light and strong sunlight lighting on solar plane. Can't instantly contact the hot surface of motor after operation. Do make sure the temperature is lower, otherwise may cause risk of scald.



太阳能汽艇 Solar Airboat

部件 Parts Required



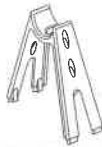
太阳能电池组件
Solar Module



变速器B Gear Box B



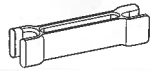
A 1 × 4



C 19



A 3



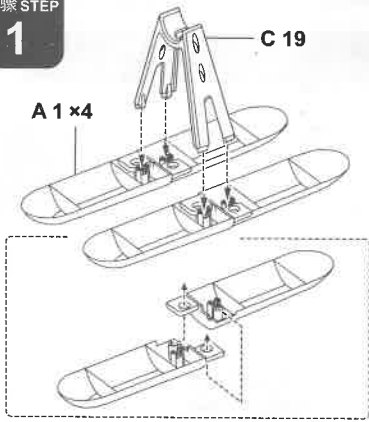
B 4



B 2

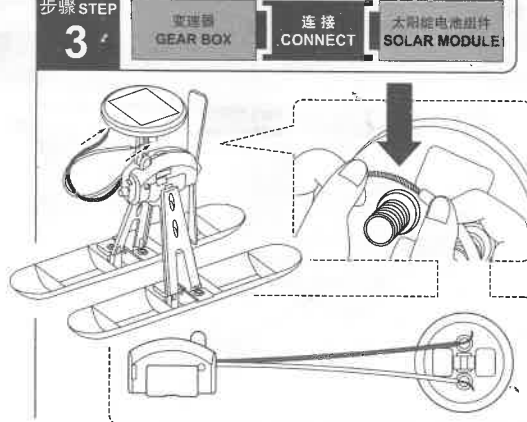
步骤 STEP

1



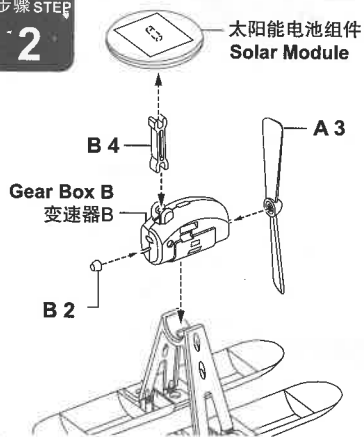
步骤 STEP

3



步骤 STEP

2



步骤 STEP

4

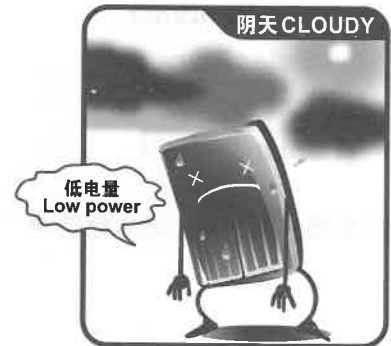
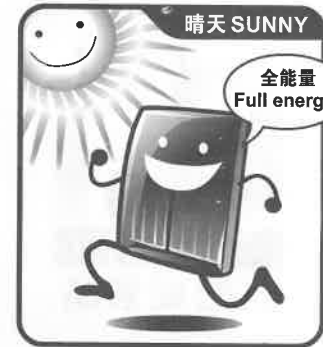


完成品 Finished Product!

警告! WARNING!

在强烈的太阳光照下,不能直接接触太阳能板,不能马上接触电机热表面。否则可能会导致烫伤的危险。
Can't direct contact the during and after light and strong sunlight lighting on solar plane. Can't instantly contact the hot surface of motor after operation. Do make sure the temperature is lower, otherwise may cause risk of scald.

是时候开始玩了 It's time to have some FUN!



1. 拿出放到太阳光直射处, 在阳光普照下操作最佳。
 2. 在室内请使用100W卤钨灯。本产品阴天, 阴暗地方, 荧光灯下将不能操作。
1. Take outside under direct sunlight. Best results are obtained when operated on sunny day.
 2. For indoor fun, use a 100 watt halogen light. The product will not run on a cloudy day, shaded locations, indirect sunlight, or under a fluorescent light.