

## M220 Series Capsule Slip Ring

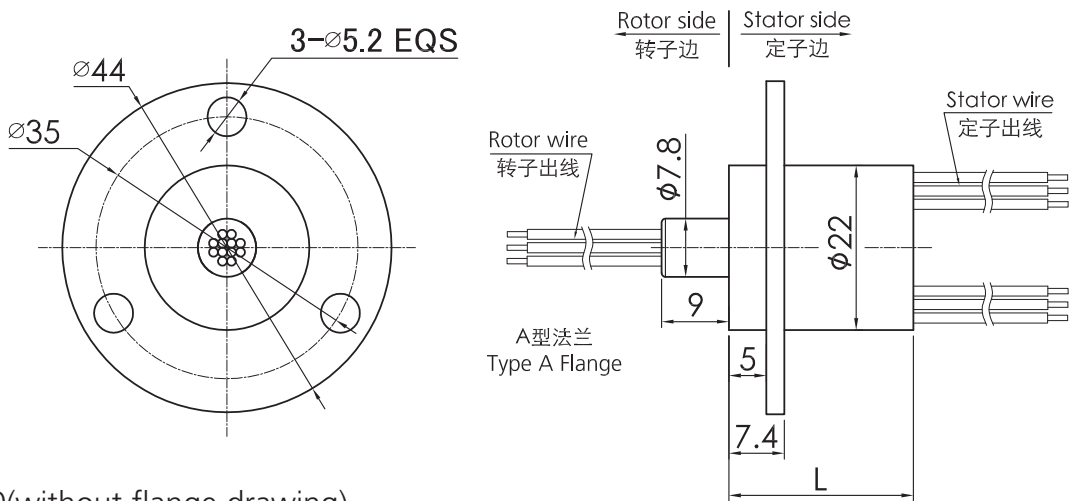
OD:22mm,2~36circuits



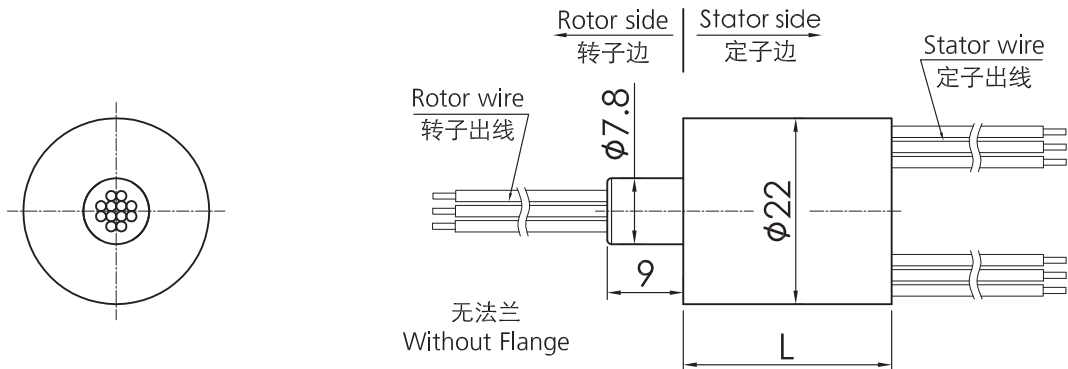
### Part No. Description

M220 - F - circuits no. - current	
M:capsule slip ring code 220:OD 22mm	Examples: default 2A 05:5A 10:10A
F:flange type(2 types,as drawing)	Examples: 06:6circuits 12:12circuits

### M220A(Type A flange drawing)



### M220(without flange drawing)



### Standard Model List

M220 series model list				
Part no.	Circuits no.	Max current/circuit	Lead spec.	Length L(mm)
M220-06	6	2A	AWG26#teflon, silver plated	19
M220-12	12	2A	AWG26#teflon, silver plated	26
M220-18	18	2A	AWG26#teflon, silver plated	33
M220-24	24	2A	AWG26#teflon, silver plated	40
M220-36	36	2A	AWG26#teflon, silver plated	57.3
M220-0605	6	5A	AWG22#teflon, silver plated	40

M220 series model list				
Part no.	Circuits no.	Max current/circuit	Lead spec.	Length L(mm)
M220-0805	8	5A	AWG22#teflon, silver plated	140
M220-1205	12	5A	AWG22#teflon, silver plated	40
M220-0210	2	10A	AWG17#teflon, silver plated	26
M220-0310	3	10A	AWG17#teflon, silver plated	33
M220-0410	4	10A	AWG17#teflon, silver plated	40
M220-0230	2	30A	AWG12#teflon, silver plated	40
M220-0330	3	30A	AWG12#teflon, silver plated	47
M220-0205-12S	2circuits@5A+12circuits signal		5A(AWG22),signal(AWG26)	40
M220-0305-12S	3circuits@5A+12circuits signal		5A(AWG22),signal(AWG26)	40
M220-0605-06S	6circuits@5A+6circuits signal		5A(AWG22),signal(AWG26)	40
M220-0210-12S	2circuits@10A+12circuits signal		10A(AWG17),signal(AWG26)	40
M220-0310-06S	3circuits@10A+6circuits signal		10A(AWG17),signal(AWG26)	40
M220-0320-04S	3circuits@20A+4circuits signal		20A(AWG14),signal(AWG26)	40
M220-0410-04S	4circuits@10A+4circuits signal		10A(AWG17),signal(AWG26)	40

### Technical Specification

Mechanical		Electrical	
Rotating Speed	150RPM	Rated Voltage	0~240VAC/VDC
Working Temp.	-30°C~80°C	Insulation Resistance	≥300MΩ/300VDC
Working Humidity	0~85%RH	Lead Wire Spec.	refer to model list
Contact Material	gold-gold	Lead Wire Length	standard 150mm(can be customized)
Housing Material	plastic	Dielectric Strength	300VAC@50Hz,60s
Torque	0.05N.m (+0.01N.m/6circuits)	Electrical Noise	<0.01 Ω
Working Life	10millions for ref(depends on working conditions)		
IP Grade	IP51		

### Color Code of Lead Wire

ring#	1	2	3	4	5	6	7	8	9	10	11	12
color	BLK	BRN	RED	ORG	YEL	GRN	BLU	PUR	GRY	WHT	PINK	LGT BLU
ring#	13	14	15	16	17	18	19	20	21	22	23	24
color	WHT/BLK	WHT/BRN	WHT/RED	WHT/ORG	WHT/YEL	WHT/GRN	WHT/BLU	WHT/PUR	WHT/GRY	BLK/RED	BLK/BRN	Transparent

Remark: "1" : the first wire from rotor side , M125A-06 wire color sequence: BLK/BRN/RED/ORG/YEL/GRN , 24 color wires as one group , if more than 24wires, repeat as sequence , use number tube to tell group 1#, 2#....