

M125 Series Capsule Slip Ring

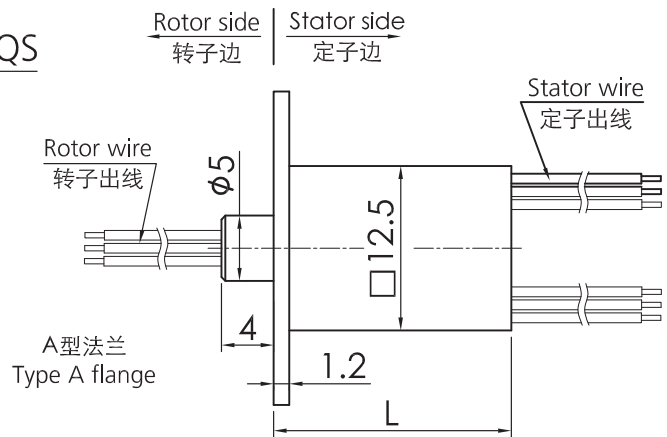
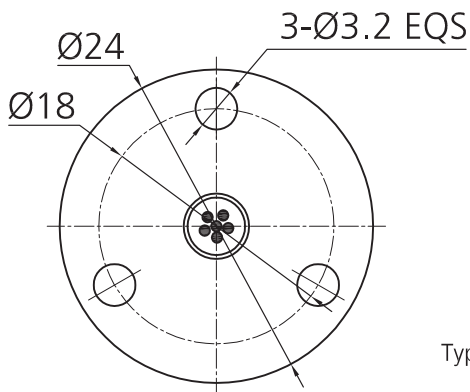
OD:12.5mm,2~18circuits



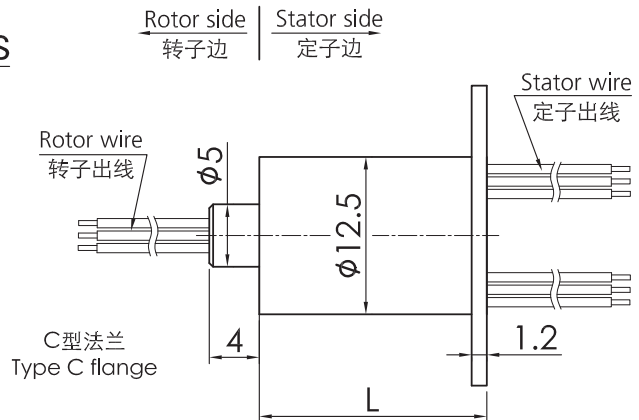
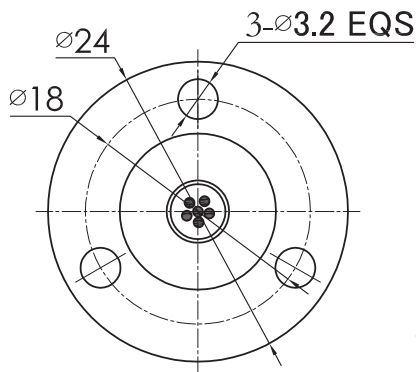
Part No. Description

M125 - F - circuits no. - current	
M:capsule slip ring code 125:OD12.5mm	Examples: default 1.5A 05:5A
F:flange type(3 types,as drawing)	Examples: 06:6circuits 12:12circuits

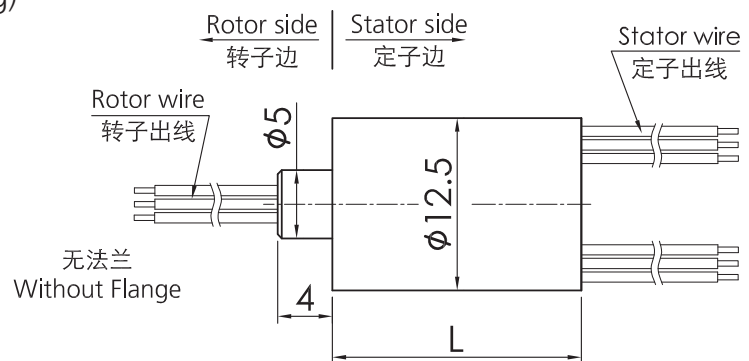
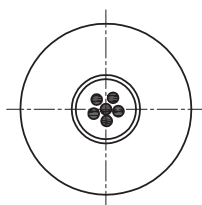
M125A(Type A flange drawing)



M125C(Type C flange drawing)



M125(without flange drawing)



Standard Model List

M125 series model list				
Part no.	Circuits no.	Max current/circuit	Lead spec.	Length L(mm)
M125-06	6	1.5A	AWG30#teflon,silver plated	13.5
M125-12	12	1.5A	AWG30#teflon,silver plated	18.2
M125-18	18	1.5A	AWG30#teflon,silver plated	23.5
M125-0205	2	5A	AWG22#teflon,silver plated	13.5
M125-0305	3	5A	AWG22#teflon,silver plated	18.2
M125-0405	4	5A	AWG22#teflon,silver plated	18.2

Technical Specification

Mechanical		Electrical	
Rotating Speed	250RPM	Rated Voltage	0~240VAC/VDC
Working Temp.	-30°C~80°C	Insulation Resistance	≥300MΩ/300VDC
Working Humidity	0~85%RH	Lead Wire Spec.	refer to model list
Contact Material	gold-gold	Lead Wire Length	standard 150mm(can be customized)
Housing Material	plastic	Dielectric Strength	300VAC@50Hz,60s
Torque	0.05N.m (+0.01N.m/6circuits)	Electrical Noise	<0.01Ω
Working Life	10millions for ref(depends on working conditions)		
IP Grade	IP51		

Color Code of Lead Wire

ring #	1	2	3	4	5	6	7	8	9	10	11	12
color	BLK	BRN	RED	ORG	YEL	GRN	BLU	PUR	GRY	WHT	PINK	LGT BLU
ring #	13	14	15	16	17	18	19	20	21	22	23	24
color	WHT/BLK	WHT/BRN	WHT/RED	WHT/ORG	WHT/YEL	WHT/GRN	WHT/BLU	WHT/PUR	WHT/GRY	BLK/RED	BLK/BRN	Transparent