

DH48S adopt advanced IC and digital tube, can replace H7CN or such function products. With advantage of beautiful appearance, wide delay time range, high accuracy, low power consumption, long life, big contact rating, used for automatic control.

■ Model description

DH48J: can be input by electromagnetic relay, limit switch, etc, with reset function.

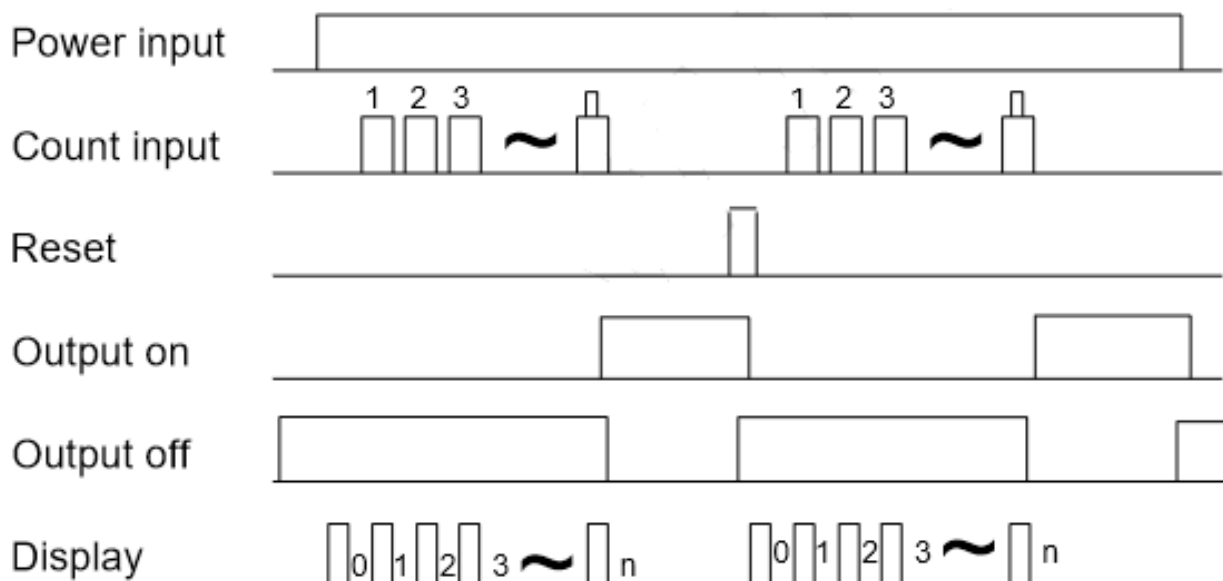
DH48JA: can be input by proximity sensor, photoelectric sensor, etc.

DH48J-11A: can be input by electromagnetic relay, limit switch, proximity sensor, photoelectric sensor, etc, with reset function, no-power memory can remain 10 years.

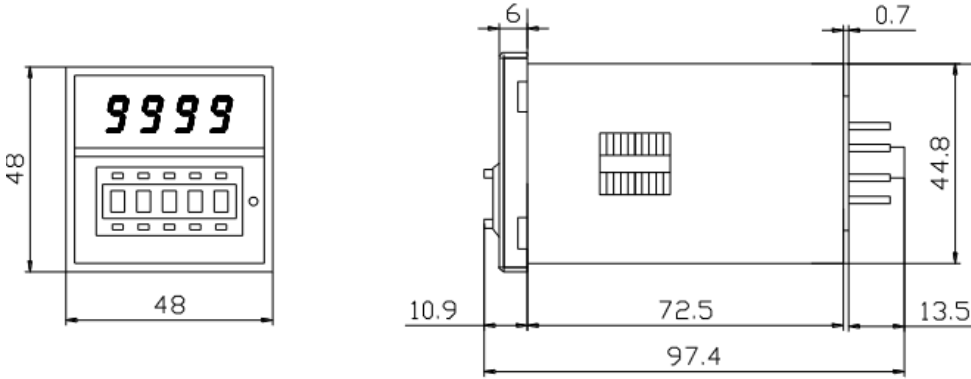
■ Features

1. Power supply tolerance: 85-110% rated voltage
2. AC: 110V, 220V, 380V
3. DC: 12V, 24V
4. Counting range: 1-9999 x1/x10/x100 multiple
5. Contact rating: 5A@220Vac, 5A@30Vdc(Resistance)
6. Mechanical life: ≥ 100000000
7. Electrical life: ≥ 1000000
8. Power consumption: $\leq 5W$
9. Operating temperature: $-10^{\circ}C$ to $50^{\circ}C$
10. Operating humidity: 95% RH max, non-condensing
11. Above sea level: $< 2000m$
12. Max. counting speed: 30 cps
13. Min. counting pulse: 15ms

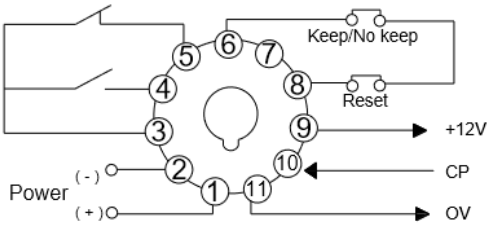
■ Sequence diagram



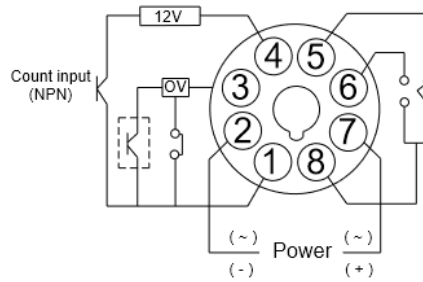
■ Dimensions (Unit: mm)



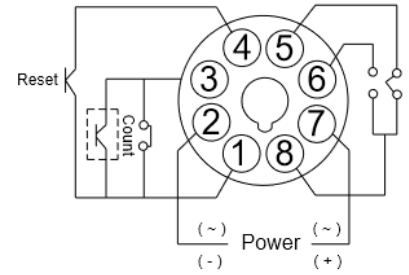
■ Wiring diagram



DH48J-11A

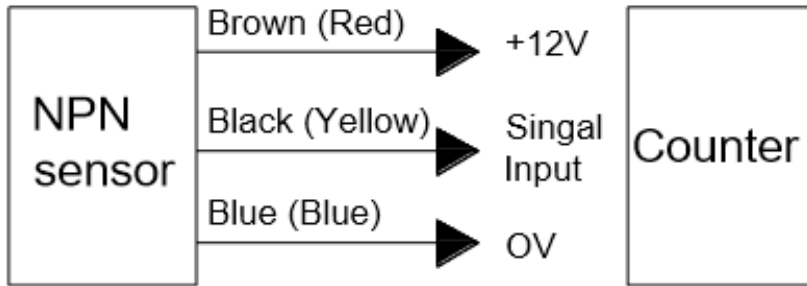


DH48JA



DH48J

■ NPN type sensor input for DH48J-11A, DH48JA



■ Use description

1. Preset multiple first, then press reset button, or disconnect the power more than 0.5 seconds then turn on the power, so that complete preset. (If the multiple is x10, it means input 10 input signal, display digital increase 1).
2. In a strong current environment, if the reset and signal wires are long, please use a shielded wire.
3. DH48J-11A, DH48JA 12V DC power output can be used for sensor supply, current is < 30mA.
4. When the DH48J-11A's ⑥ and ⑦ terminals switch on, it means not keep memory, otherwise mean keep.
5. When the count reaches to preset number, the relay contact transposition, stop counting.
6. It is forbidden to add external voltage to reset, counting and memory terminals.
7. Can be customized.

■ General

Model number	DH48J series
Supply voltage	110, 220 or 380 Vac, 50/60 Hz; 12Vac/Vdc, 24Vac/Vdc; 24-240VAC/DC
Operating mode	<p>Up counting: 99x1=99 events, when count 1 event, display add 1 99x10=990 events, when count 10 events, display add 1 99x100=9900 events, when count 100 events, display add 1</p> <p>Down counting: 99x1=99 events, when count 1 event, display reduce 1 99x10=990 events, when count 10 events, display reduce 1 99x100=9900 events, when count 100 events, display reduce 1 Can count 1-999900 events</p>
Input Signal	Contact, level, sensor (NPN type)
Max. counting speed	30 cps
Min. counting pulse	15ms
No-power memory	DH48J-11A: 10 years
Control form	SPDT
Contact rating	5A@250Vac, 7A@24Vdc
Mechanical life	1x10 ⁷
Electrical life	1x10 ⁵
Power consumption	5W max
Setting method	Dial switch
Indication method	8-segment 4-digital display
External dimensions	48x48x97 mm
Perforate dimensions	46 ¹ ₀ x46 ¹ ₀ mm
Counting error	≤1
Reset time	≥0.05s
Power reset	≥1s
Dielectric strength	2000Vac, 50/60Hz for 1min
Insulation resistance	100MΩ min. at 500 VDC
Termination	DH48J, DH48JA: 8 pin; DH48J-11A: 11 pin, if use it as contact input, can connect 10 and 11
Mounting	Panel, Din rail
Matched socket	DH48JA, DH48JA: PF083A , DH48J-11A: PF113A
Matched sensor	NPN type for DH48JA, DH48J-11A: M8 2mm Sn , M12 4mm Sn , M18 8mm Sn , M18 2m Sn M30 4m Sn
Operating temperature	-10 to 50 °C
Operating humidity	30-85% RH max, non-condensing
Alias name	DH48J series counting relay, counter relay