

操作前请仔细阅读说明书
Please read these instructions carefully before using it



MARS EXPLORATION

3合1火星探索装备

3 IN 1 MARS EXPLORINGLY MODEL SERIES

使用说明书 Assembly & Instruction

太阳能

Scientific & Fun

3in1
THREE MODE

·火星探测车
Mars detecting vehicle
·火星工程车
Mars engineering vehicle
·火星战车
Mars chariot



MODE 3

8+

自己动手
DIY

STEM

INSPIRE STUDY

探索科技，展望未来，让每个孩子成为自己的主人，
让孩子在动手动脑的过程中成长为一个独立的人。



MODE 1

MODE 2

· 自主知识产权，国家知识产权局发明专利证书，实用新型专利证书。

产品介绍 Product Introduction:

仰望星空，探索未来，培养孩子的科学兴趣，对浩瀚的宇宙充满好奇和向往，启动孩子的太空梦想。三合一火星探索装备是一款集收藏、摆设、装饰、观赏功能的益智类拼装模型；孩子在组装过程中，可以提高自己的动手能力及组装过程中所带来的喜悦和成就感，有助于孩子创新思维能力的培养和智力的开发。

Look up at the starry sky, explore the future, cultivate children's interest in science, be full of curiosity and yearning for the vast universe, and start children's space dream. Three in one Mars exploration is a collection, furnishings, decoration, ornamental functions of the puzzle self loading model; In the process of assembly, children can improve their hands-on ability and the joy and sense of achievement brought by the assembly process, which is conducive to the cultivation of children's innovative thinking ability and the development of intelligence.

需要的工具 Tool You May Need:

剪钳 Diagonal Cutter



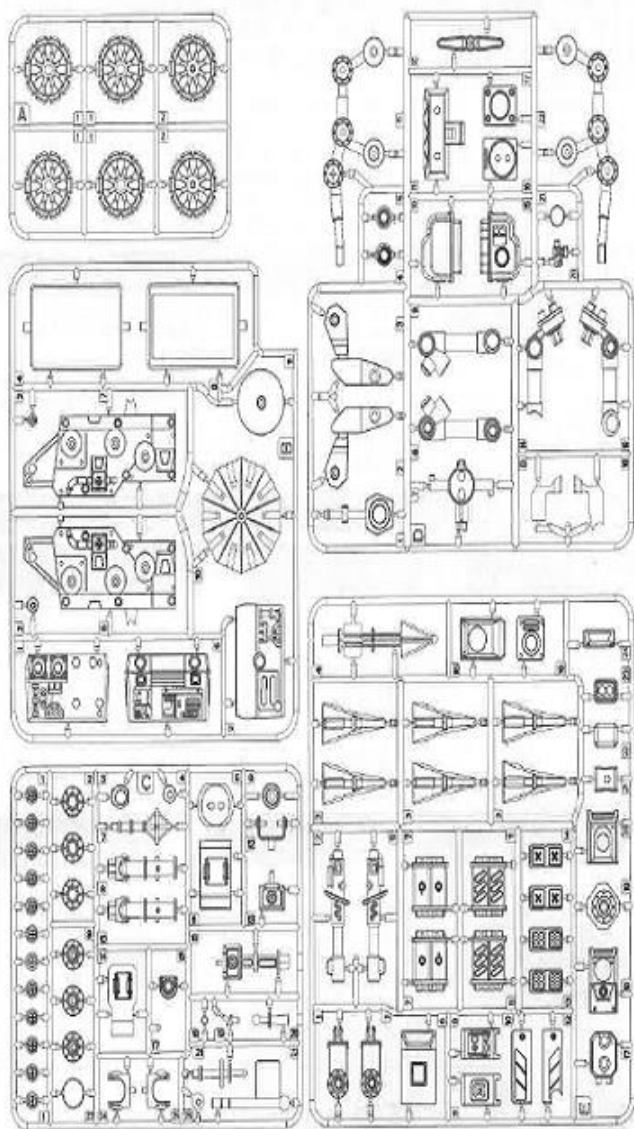
※由于此产品的零部件比较多，组装时要按说明书的指示步骤去组装，特别要注意带有“O”“X”的标示，一定要按照带“O”标示的要求去组装，否则组装出来的产品，无法正常工作！

※Due to too many of the parts contained in this product, please assemble it as per the steps indicated in this instruction manual. Especially pay more attention to the mark of "O", "X". Do make sure that only the one with the mark "O" be required for assembly. Otherwise the product can not work normally even when finish assembling.

机械零件清单 Mechanical Parts List:

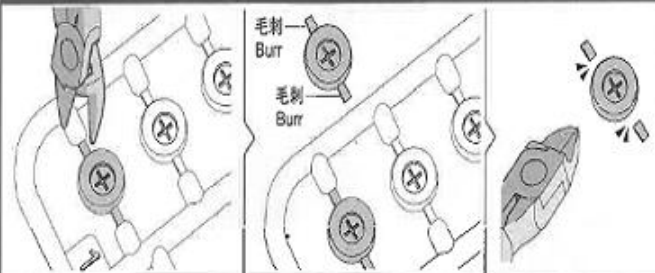
P1&P2 动力系统 Motivity system		P3 顶盖 Top cover		P4 主体上盖 Main body top cover	
	数量 Qty 1		数量 Qty 1		数量 Qty 1
P5 主体下盖 Main body down cover		P6 螺丝刀 Screwdriver		P7 带轴齿轮 Have bearing gear	
	数量 Qty 1		数量 Qty 1		数量 Qty 1
P8 螺丝 Screw		警告 WARNING: <ul style="list-style-type: none"> 不要把电线连接到电源上。 产品边缘和尖端锐利。 Don't connect the wires to the mains. Product contains functional edges and sharp points. 			
	数量 Qty 6				
2.3x6mm					

塑料零件 Plastic Parts:

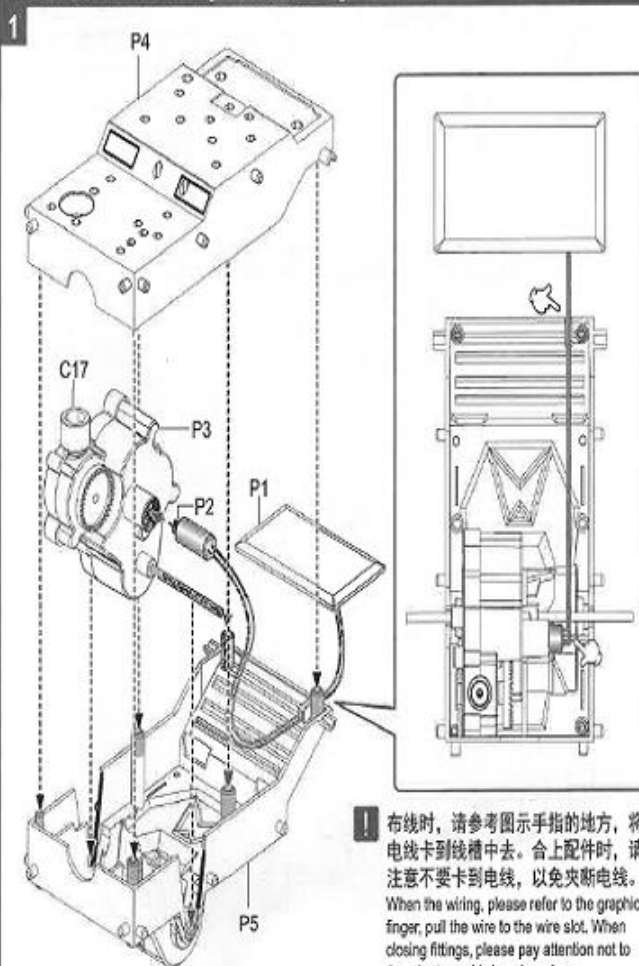


⚠ 当需要的时候，才剪下塑料零件。不要提前剪下他们。
Cut the plastic parts when they are required. Do not cut them in advance.

⚠ 提示：装配前剪断毛刺。 Tip: Cut off the burrs before assembly.

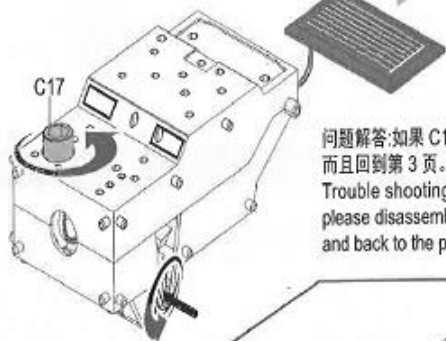


主体的装配 Assembly of main body



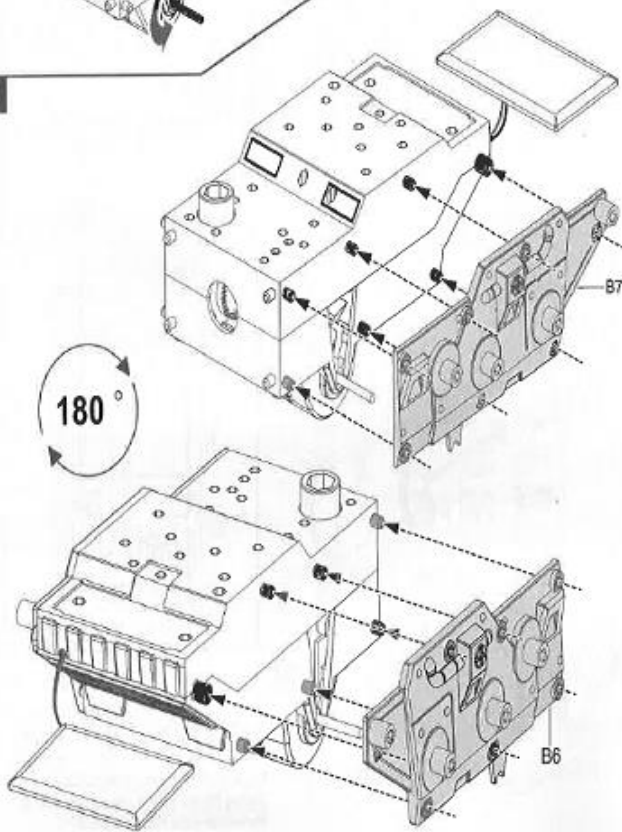
1 布线时，请参考图示手指的地方，将电线卡到线槽中去。合上配件时，请注意不要卡到电线，以免夹断电线。
When the wiring, please refer to the graphic finger, pull the wire to the wire slot. When closing fittings, please pay attention not to the wire to avoid clamping wires.

2 测试 Testing



问题解答: 如果 C17 不工作, 请拆开上下盖, 而且回到第 3 页。
 Trouble shooting: If C17 does not work, please disassemble the up or down cover, and back to the page 3.

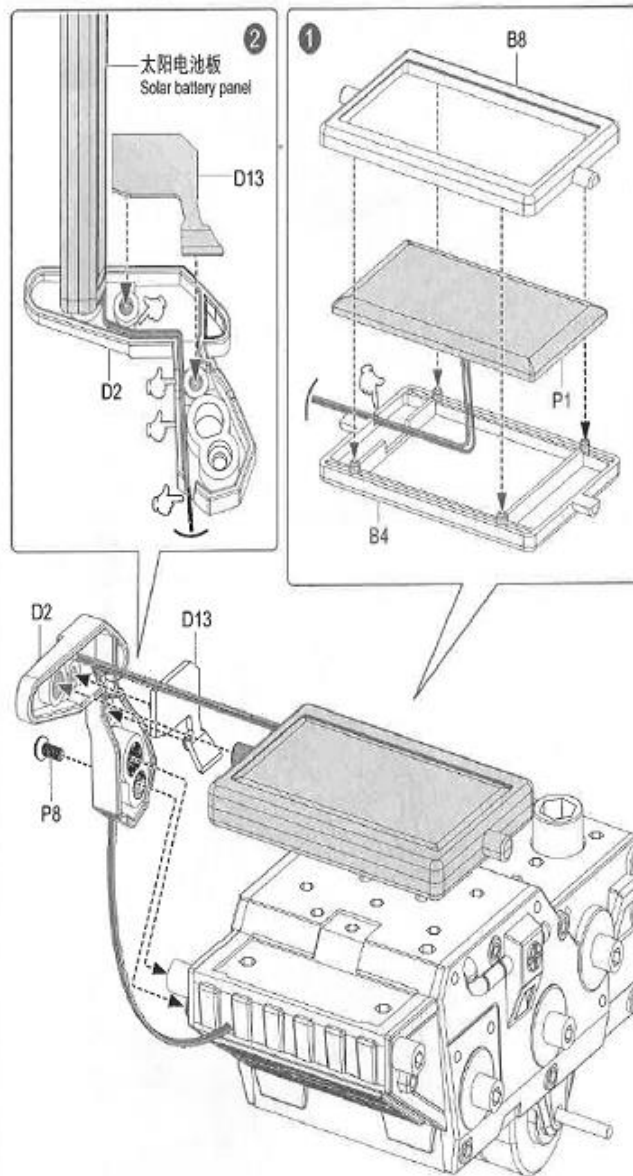
3

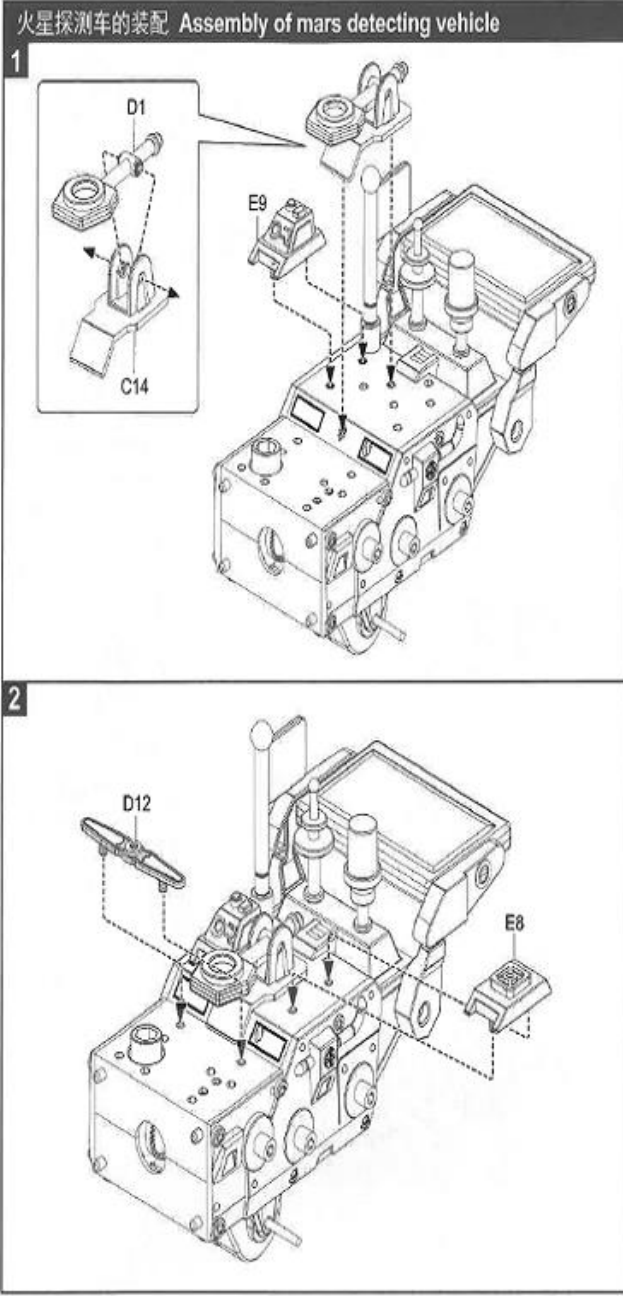
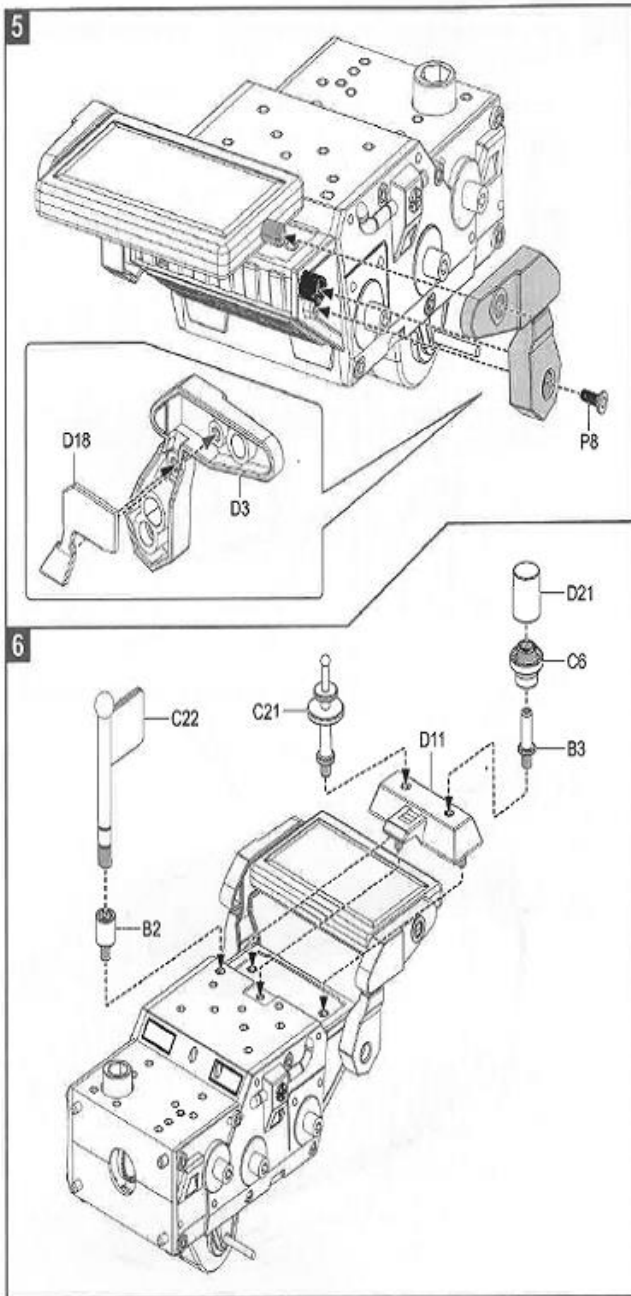


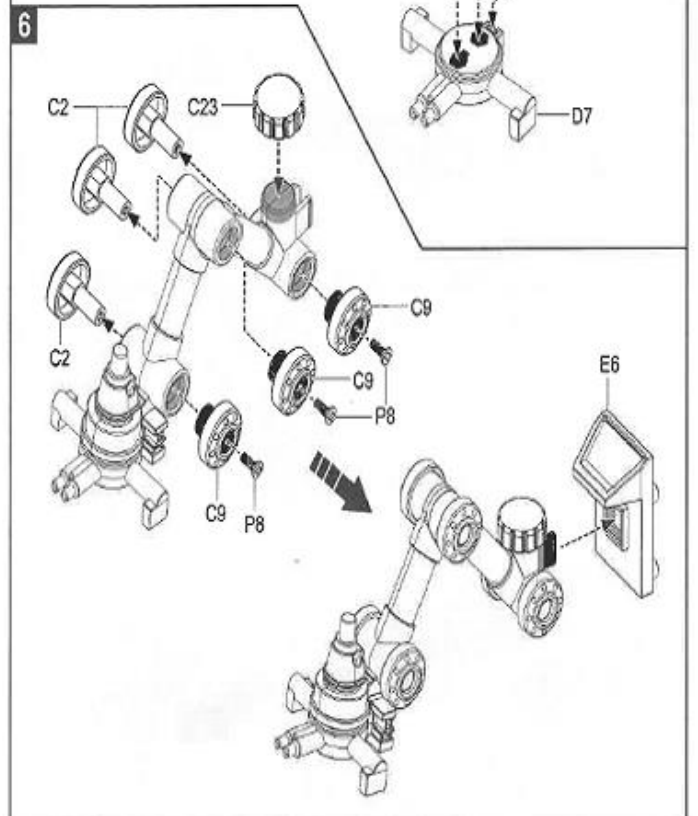
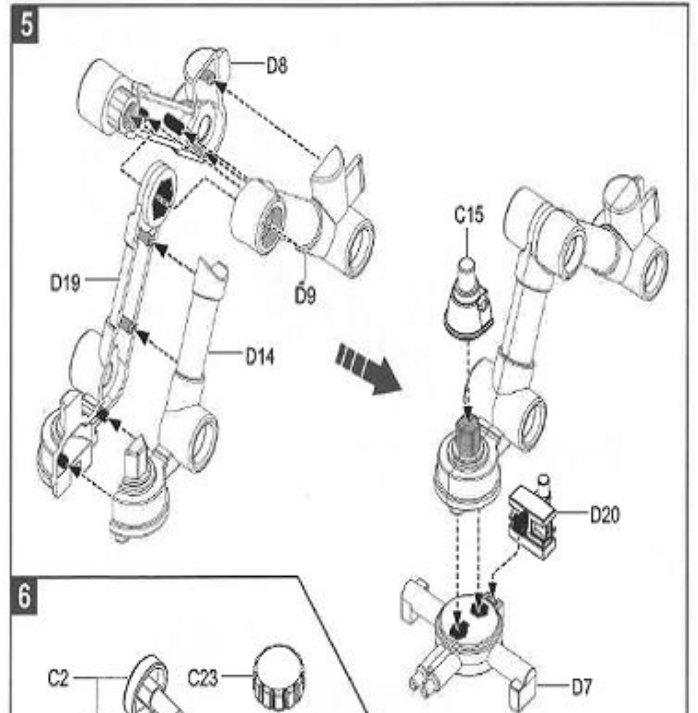
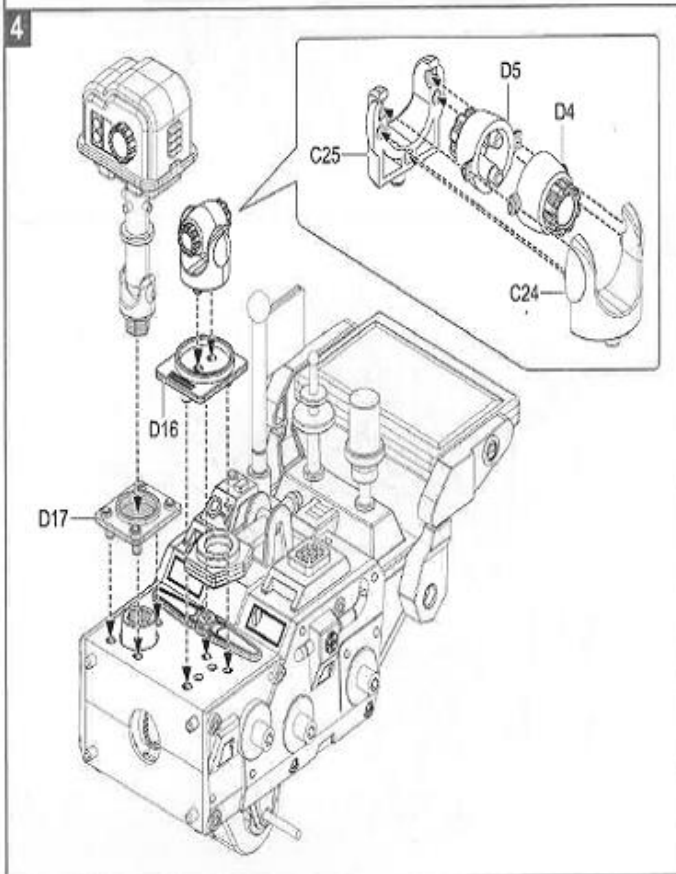
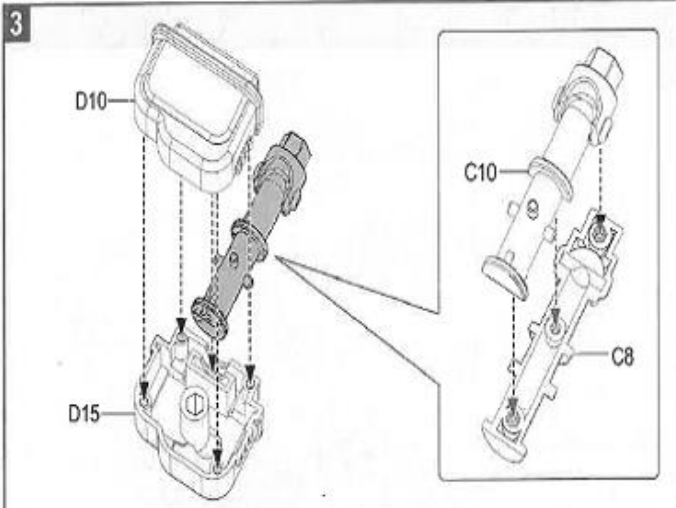
4

布线时, 请参考图示手指的地方, 将电线卡到线槽中去。合上配件时, 请注意不要卡到电线, 以免夹断电线。

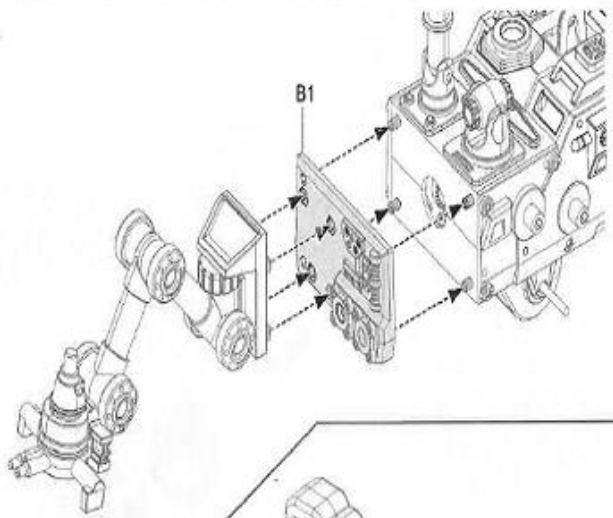
When the wiring, please refer to the graphic finger, pull the wire to the wire slot. When closing fittings, please pay attention not to the wire to avoid clamping wires.



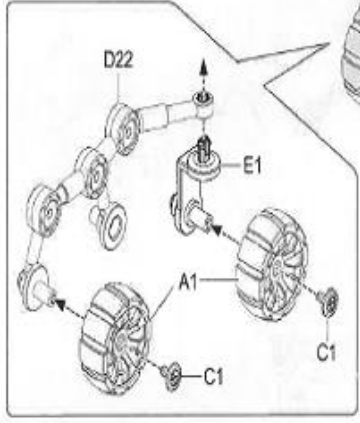
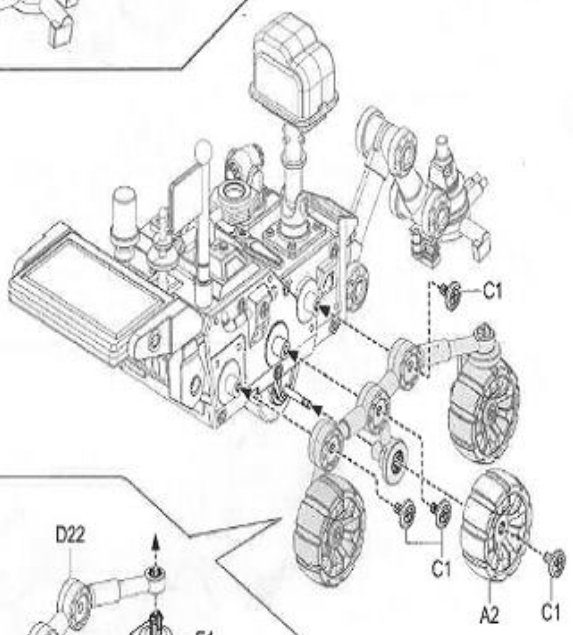




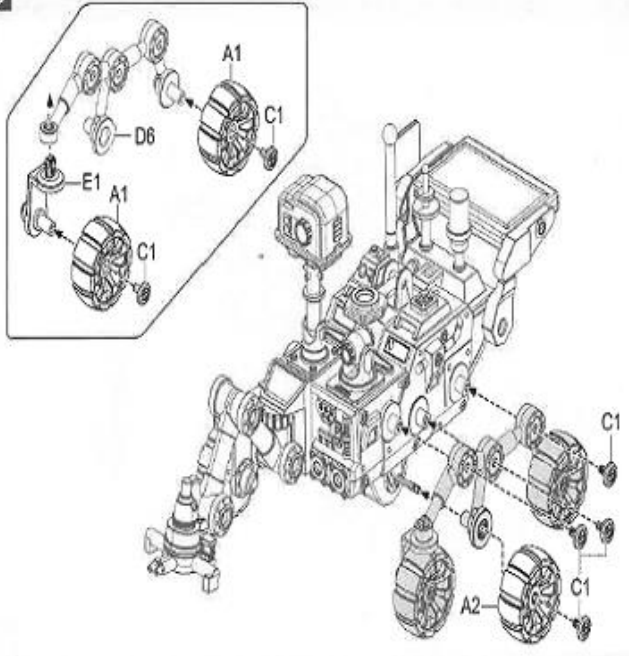
7



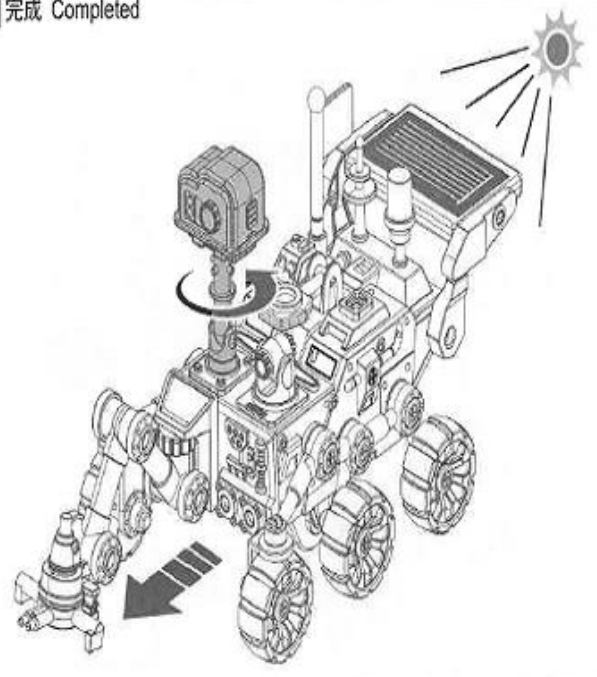
8



9

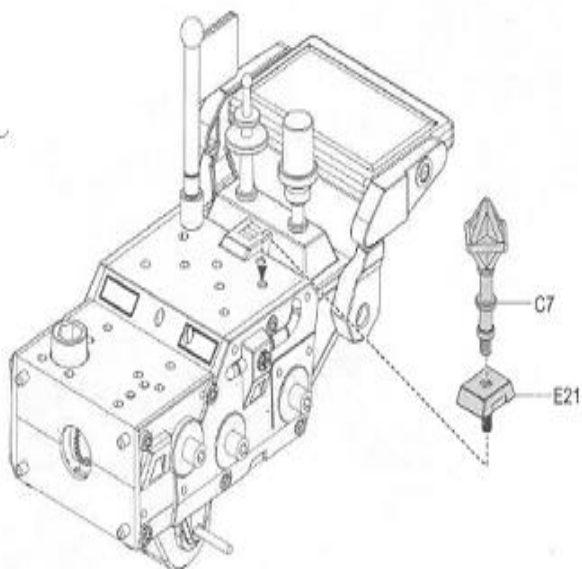


10 完成 Completed

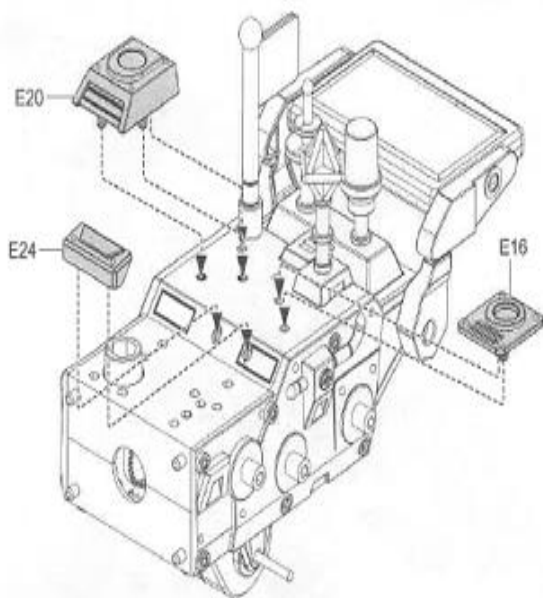


火星工程车的装配 Assembly of mars engineering vehicle

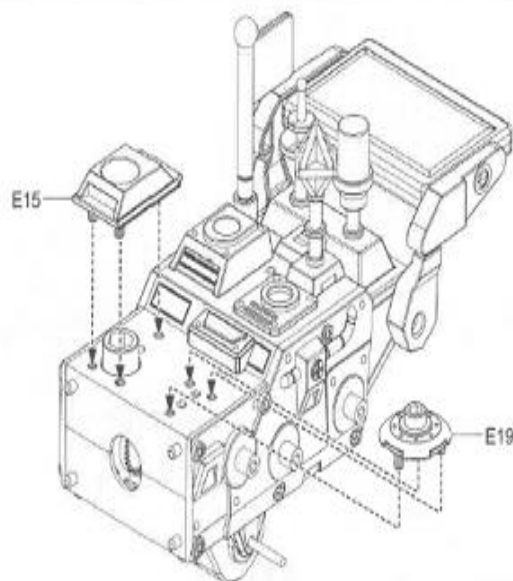
1



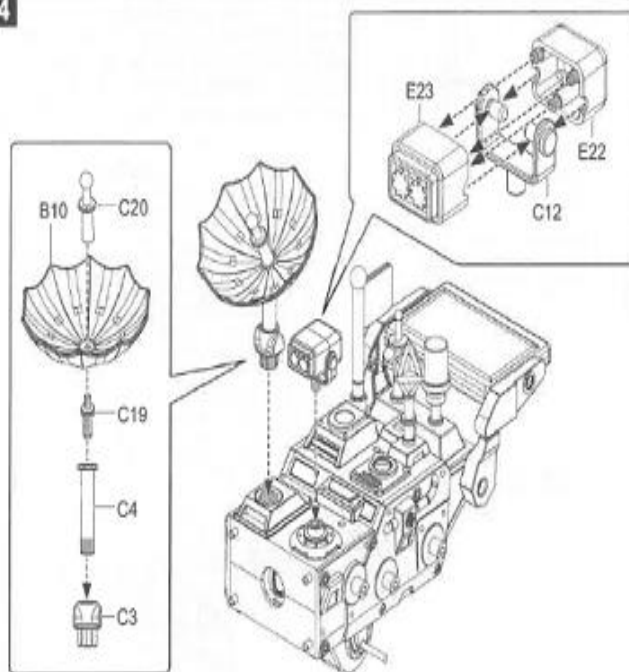
2

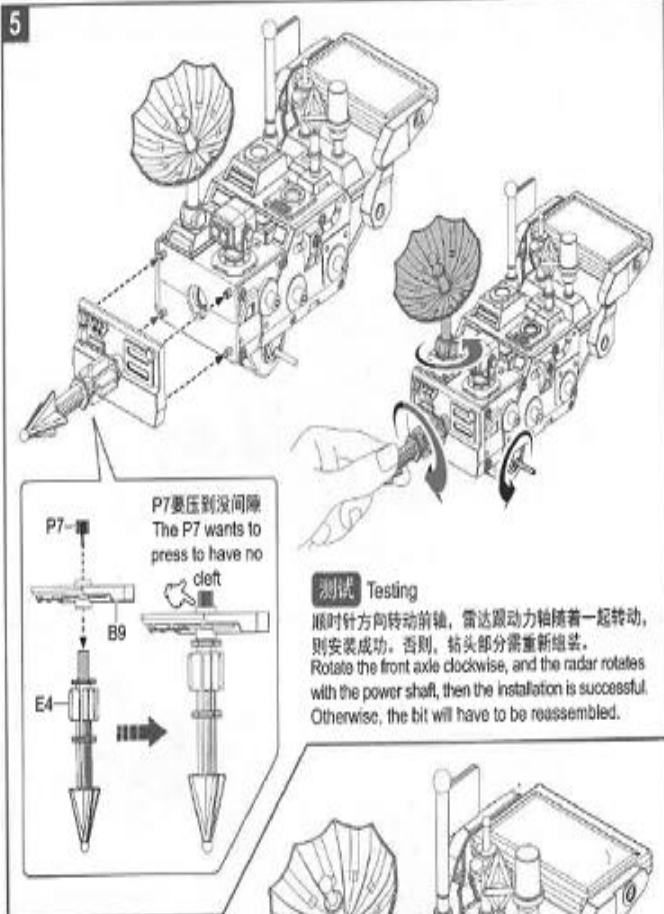


3



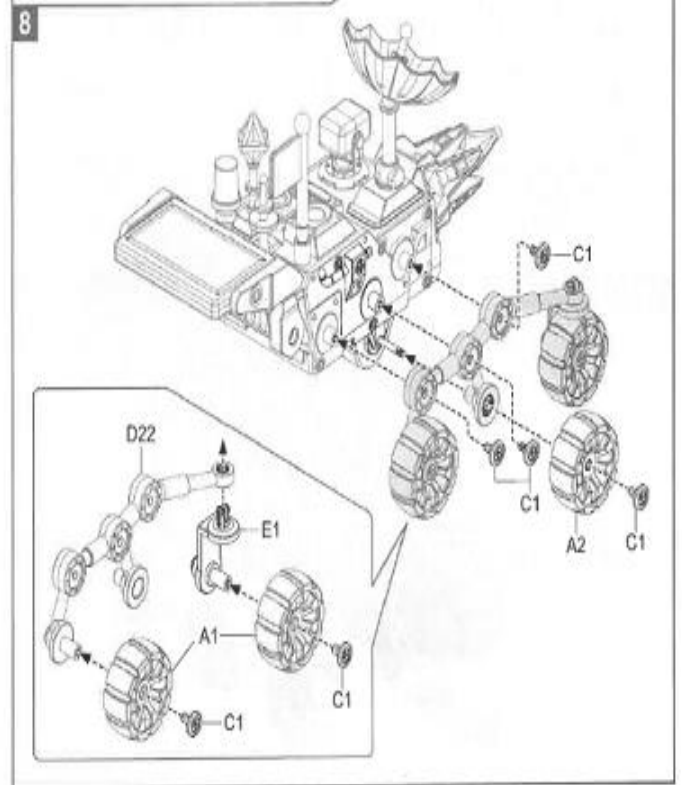
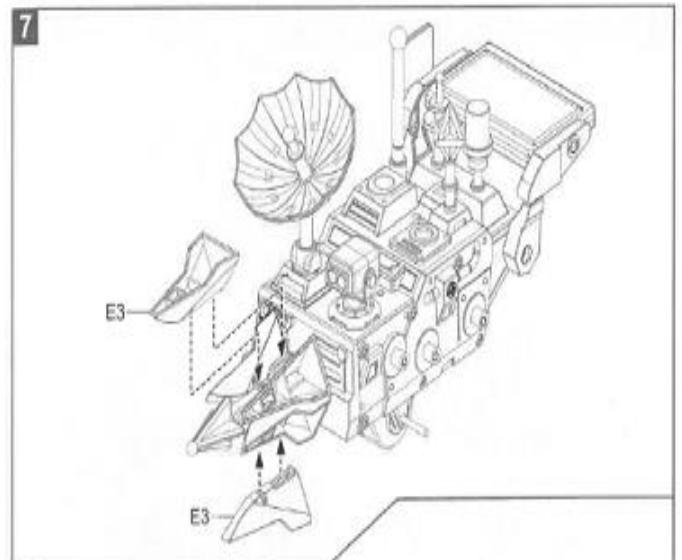
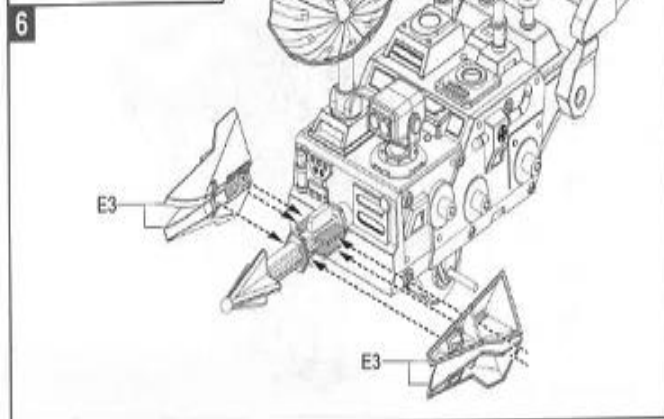
4



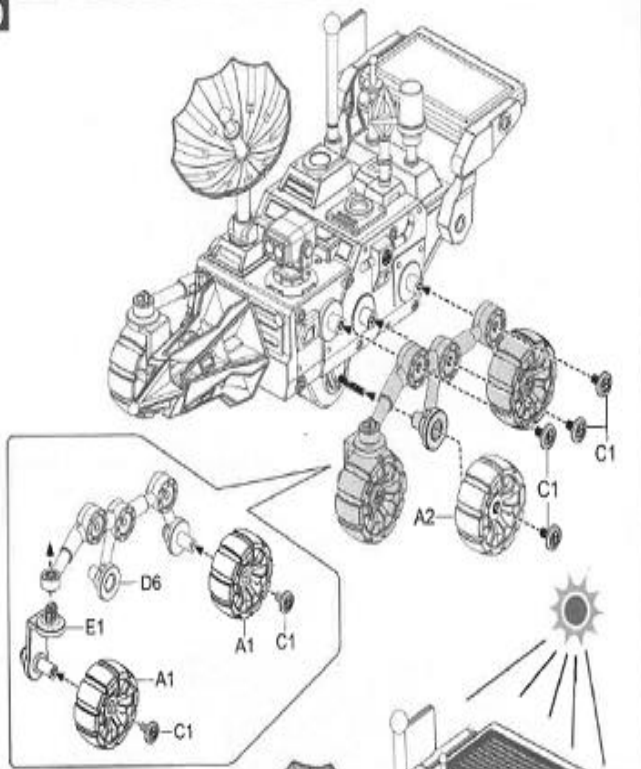


测试 Testing

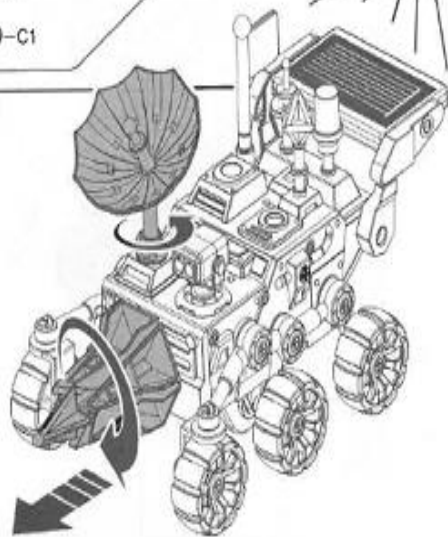
顺时针方向转动前轴，雷达跟动力轴随着一起转动，则安装成功。否则，钻头部分需重新组装。
Rotate the front axle clockwise, and the radar rotates with the power shaft, then the installation is successful. Otherwise, the bit will have to be reassembled.



9

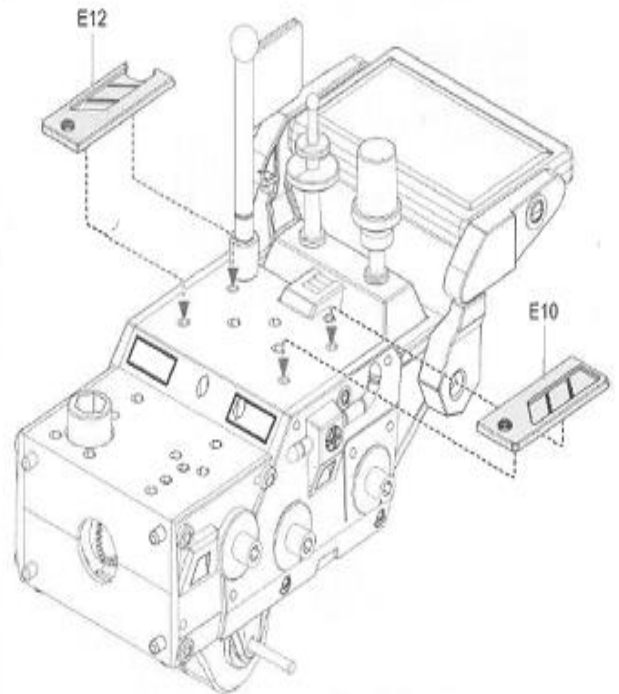


10 完成 Completed

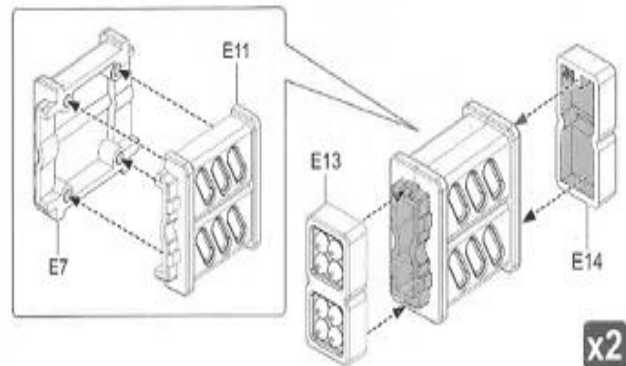


火星战车的装配 Assembly of mars chariot

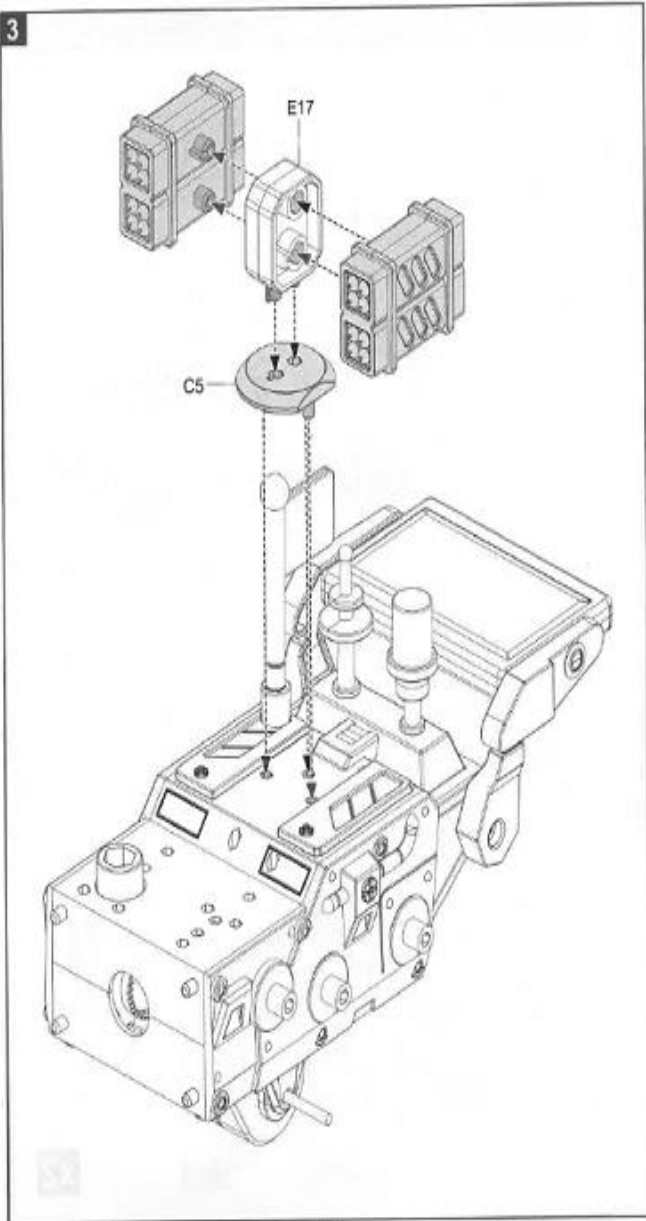
1



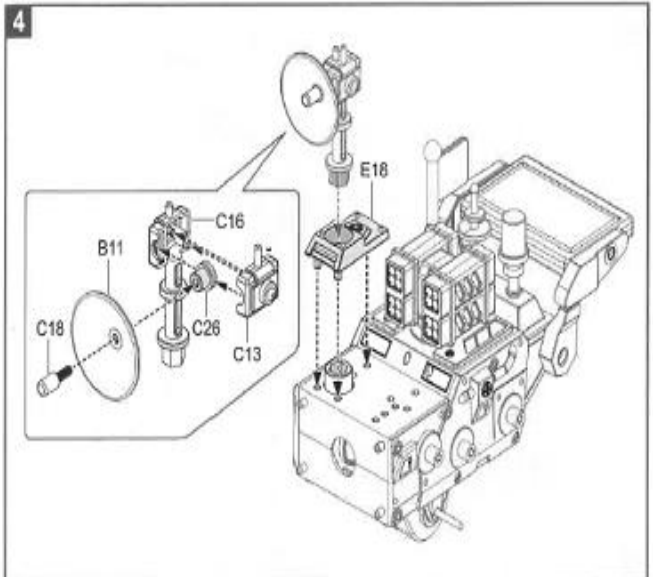
2



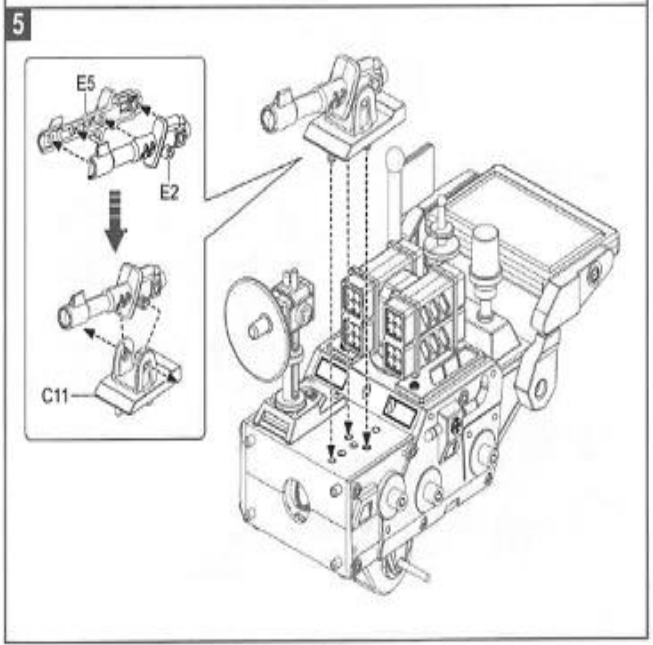
3



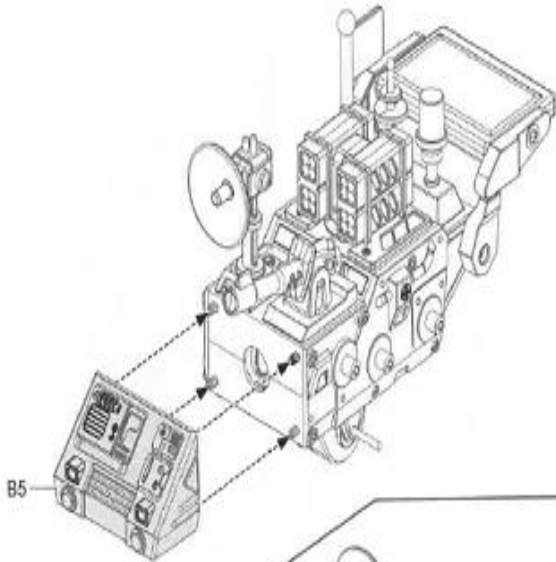
4



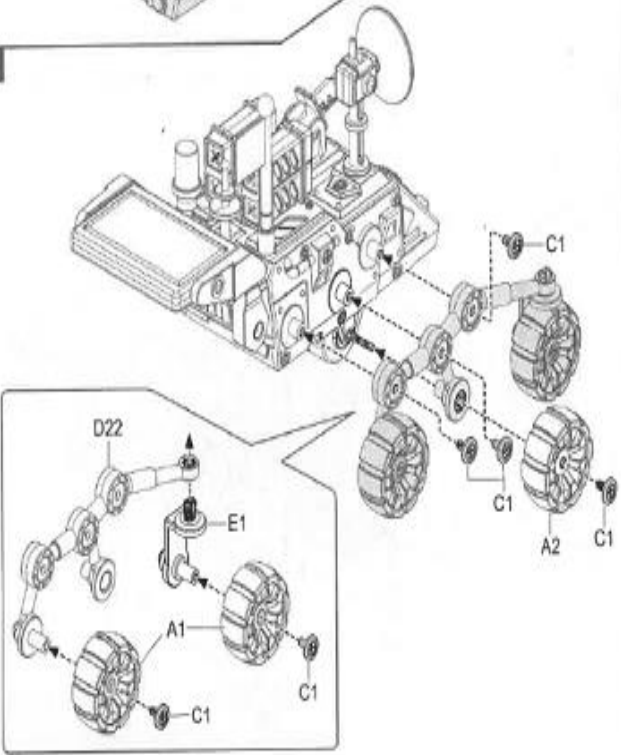
5



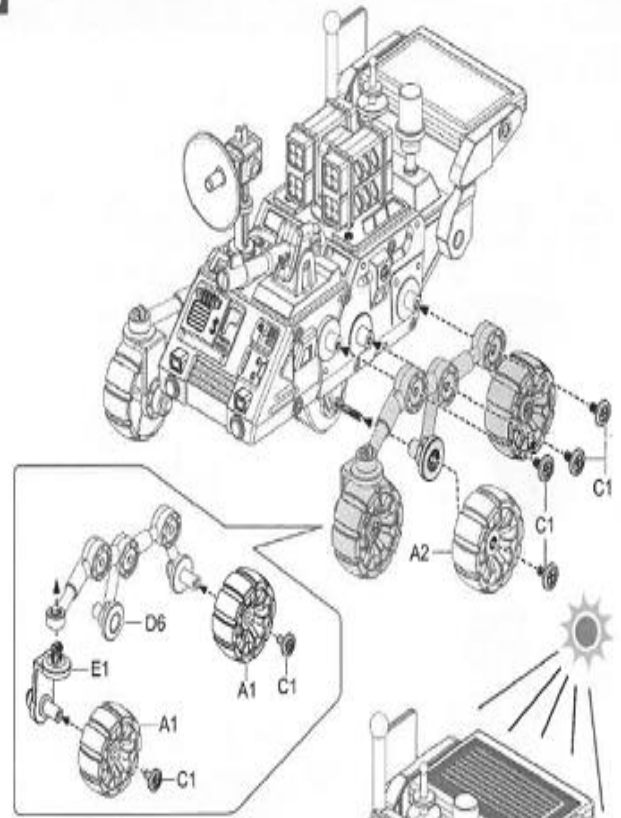
6



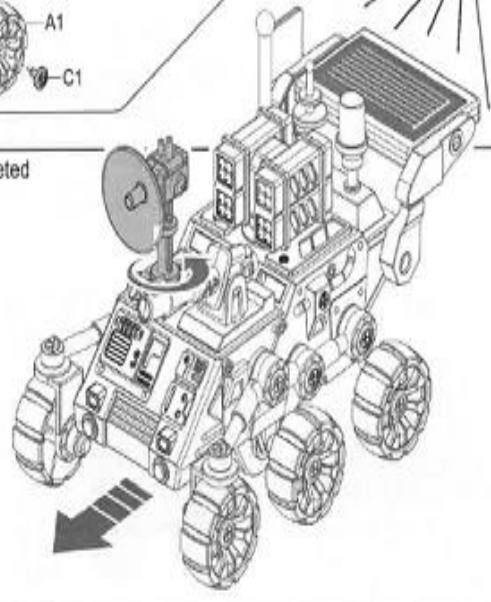
7



8

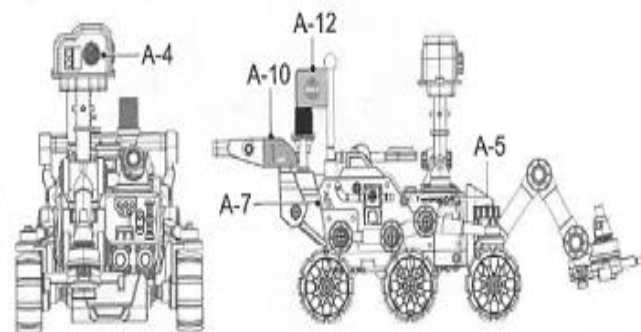
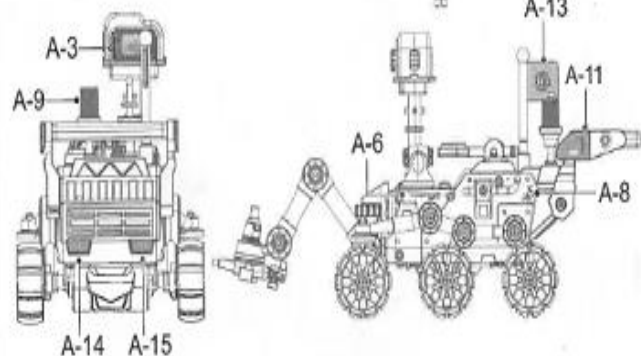
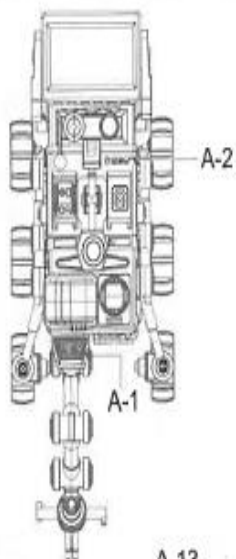
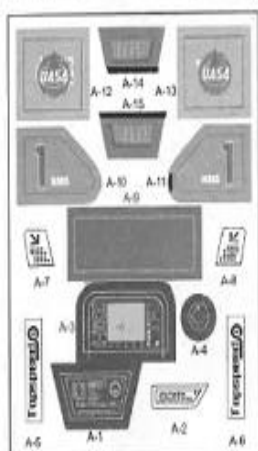


9 完成 Completed

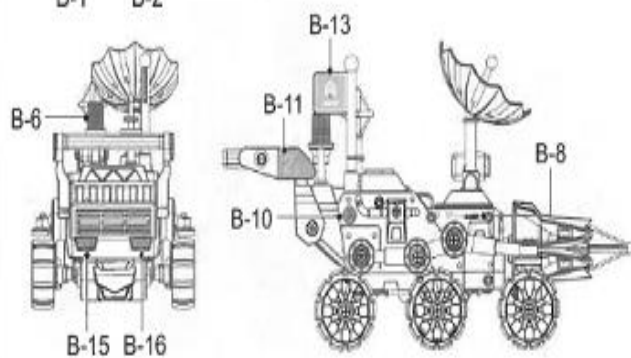
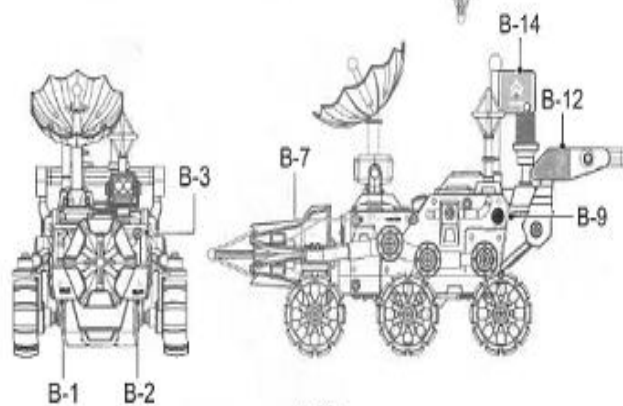
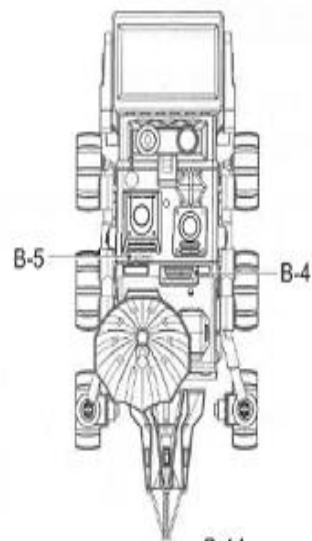
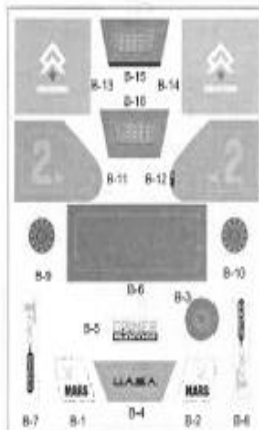


装饰 Decoration

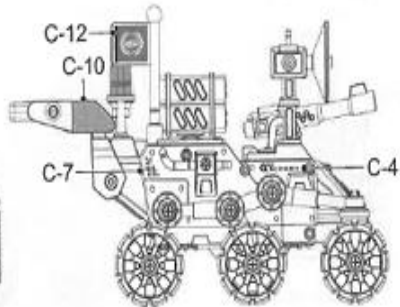
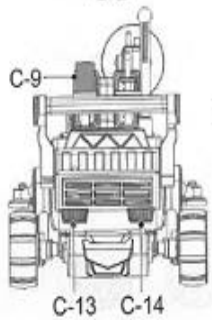
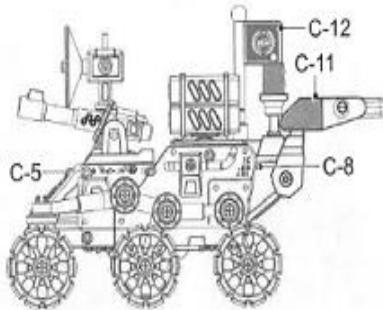
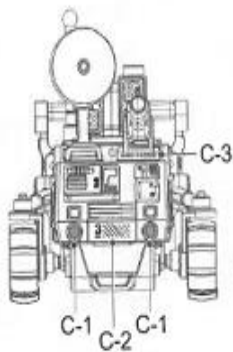
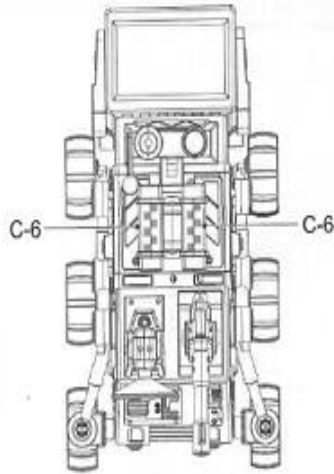
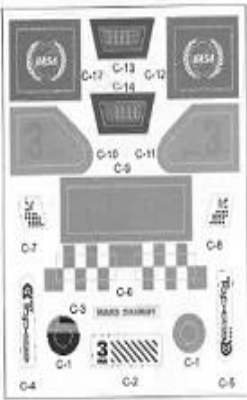
火星探测车 Mars detecting vehicle



火星工程车 Mars engineering vehicle



火星战车 Mars Chariot



是时候开始玩了 It's time to have some FUN!



1. 拿出放到太阳光直射处, 在阳光普照下操作最佳。
 2. 在室内请使用100W卤钨灯。本产品阴天, 阴暗地方, 荧光灯下将不能操作。
1. Take outside under direct sunlight. Best results are obtained when operated on sunny day.
 2. For indoor fun, use a 100 watt halogen light. The product will not run on a cloudy day, shaded locations, indirect sunlight, or under a fluorescent light.