


REV	Description	DATE	BY
v1.0	Initial release. Replace 10/100 Ethernet with Wi-Fi&Bluetooth Module, add 4 USB Host Ports. Replace TL5209 with ETA3410.	3/12/2016	Zelin

PAGE NO.	SCHEMATIC PAGE
1	COVER PAGE
2	POWER MANAGEMENT
3	PROCESSOR 1 OF 3, JTAG HEADER
4	PROCESSOR 2 OF 3, UAB PORTS
5	PROCESSOR 3 OF 3
6	LED, CONFIGURATION AND BUTTON
7	DDR3 MEMORY
8	eMMC FLASH
9	EXP CONN, uSD
10	Wi-Fi, Bluetooth, BLE 1/2
11	Wi-Fi, Bluetooth, BLE 2/2

This work is licensed under the Creative Commons Attribution 4.0 International License.  
To view a copy of this license, visit  
<http://creativecommons.org/licenses/by-sa/4.0>

This schematic is **\*NOT SUPPORTED\*** and DOES NOT constitute a reference design. Only Community support is allowed via resources at [BeagleBoard.org/discuss](http://BeagleBoard.org/discuss).

THERE IS NO WARRANTY FOR THIS DESIGN , TO THE EXTENT PERMITTED BY APPLICABLE LAW. EXCEPT WHEN OTHERWISE STATED IN WRITING THE COPYRIGHT HOLDERS AND/OR OTHER PARTIES PROVIDE THE DESIGN IS WITHOUT WARRANTY OF ANY KIND, EITHER EXPRESSED OR IMPLIED, INCLUDING, BUT NOT LIMITED TO, THE IMPLIED WARRANTIES OF MERCHANTABILITY AND FITNESS FOR A PARTICULAR PURPOSE. THE ENTIRE RISK AS TO THE QUALITY AND PERFORMANCE OF THE DESIGN IS WITH YOU. SHOULD THE DESIGN PROVE DEFECTIVE, YOU ASSUME THE COST OF ALL NECESSARY SERVICING, REPAIR OR CORRECTION.

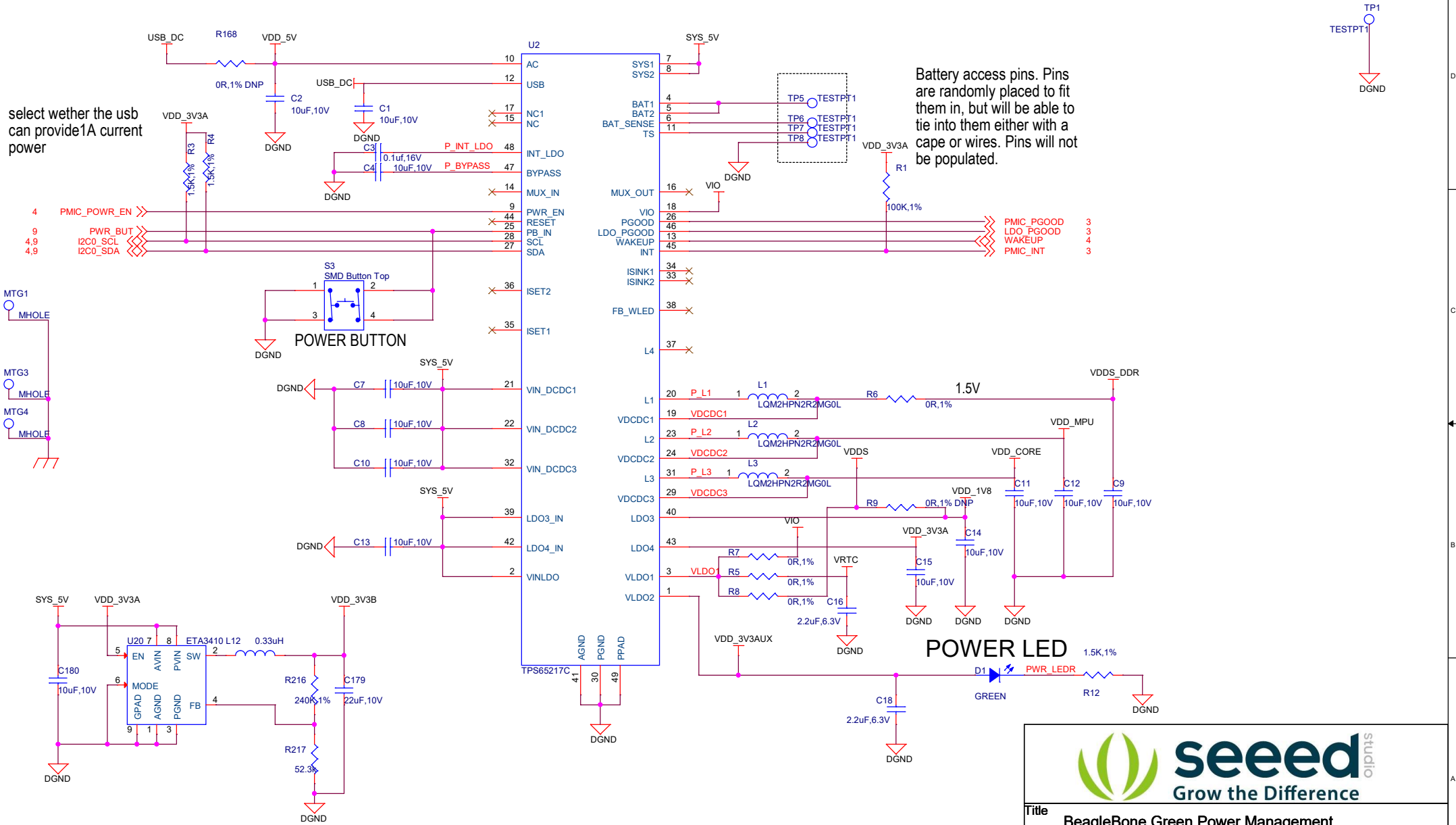
		
<b>seeed</b> studio Grow the Difference		
Title	BeagleBone Green Cover Page	
Size	Document Number	Rev
B		v1.0
Date:	Monday, March 14, 2016	Sheet 1 of 11

select whether the usb can provide 1A current power

4 PMIC\_POWR\_EN  
9 PWR\_BTN  
4,9 I2C0\_SCL  
4,9 I2C0\_SDA

POWER BUTTON

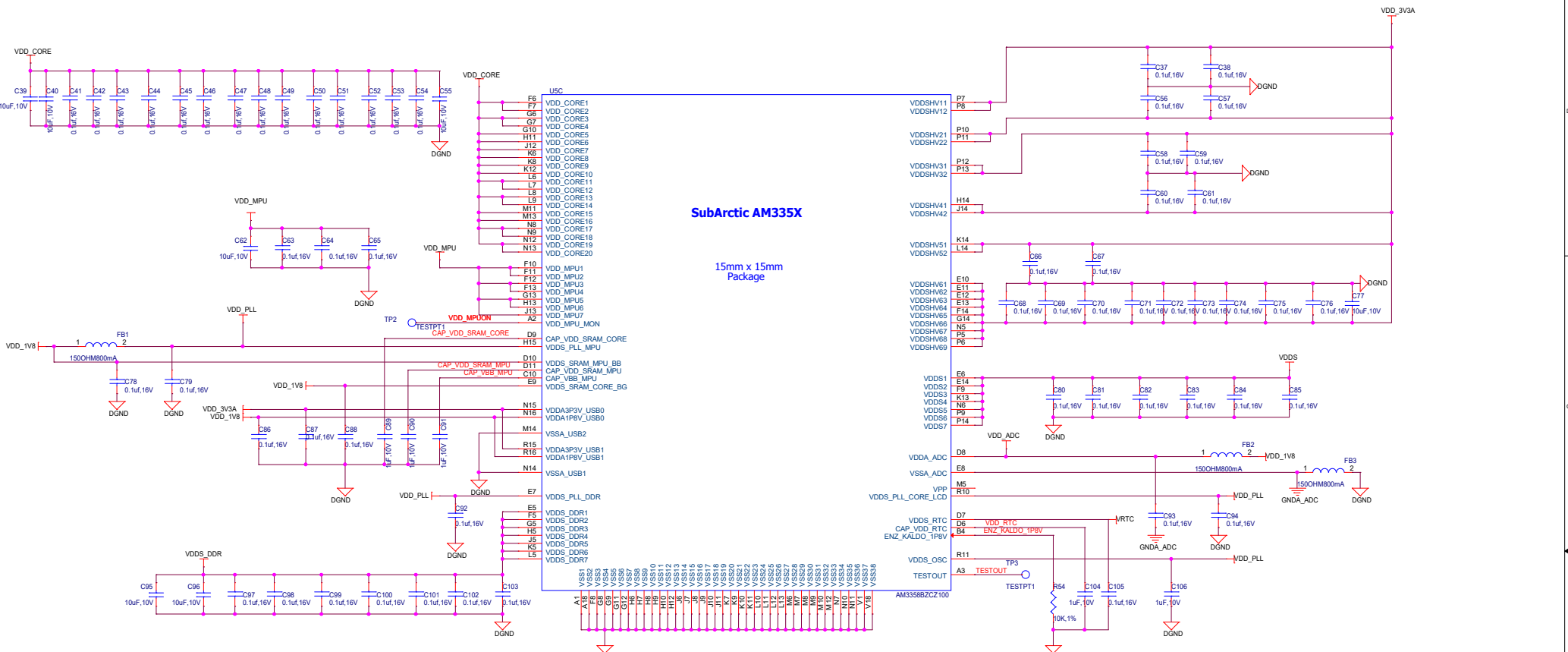
Battery access pins. Pins are randomly placed to fit them in, but will be able to tie into them either with a cape or wires. Pins will not be populated.

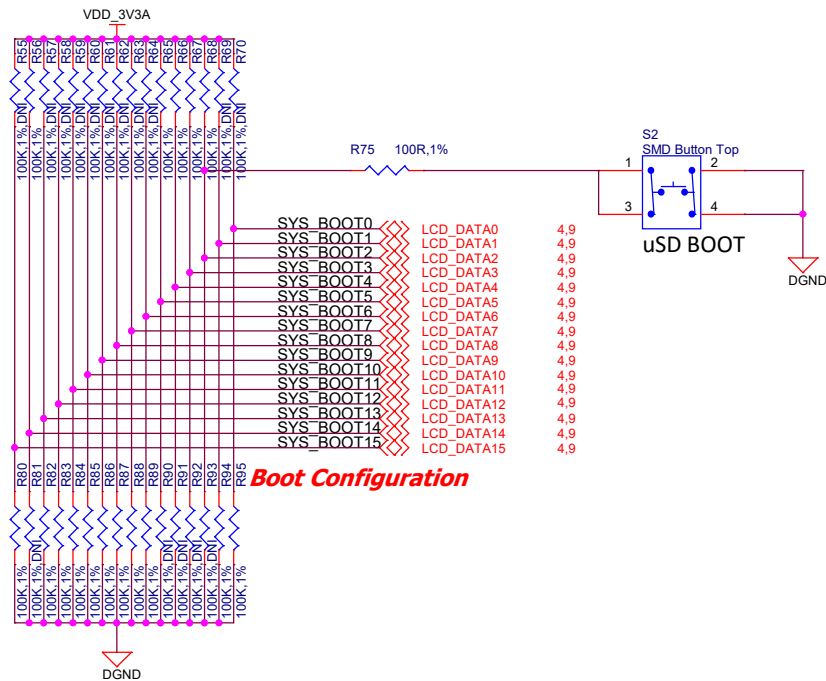


Title		BeagleBone Green Power Management	
Size	Document Number	Rev v1.0	
B			
Date:	Monday, March 14, 2016	Sheet	2 of 11

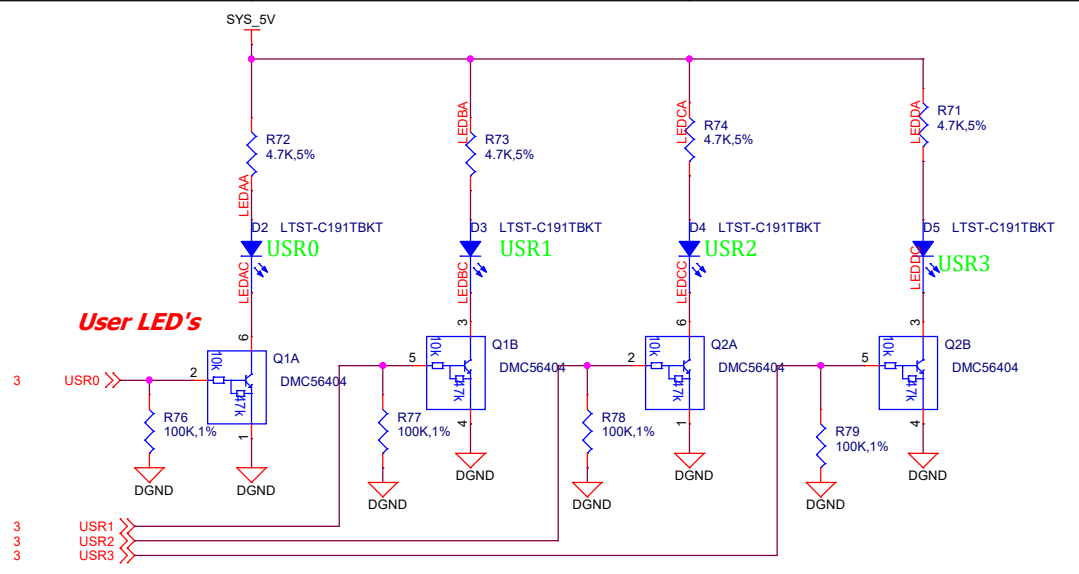








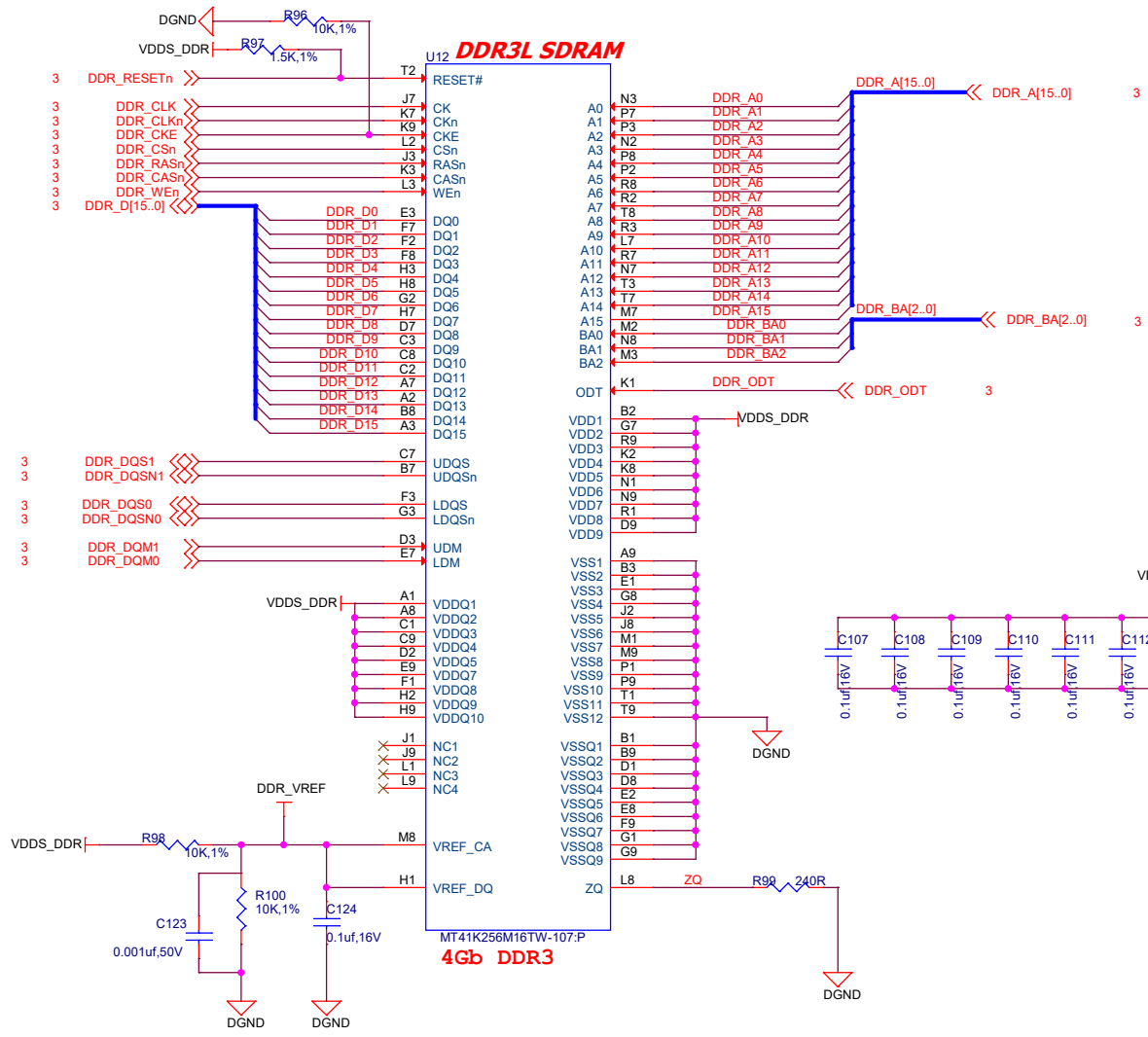
**Boot Configuration**



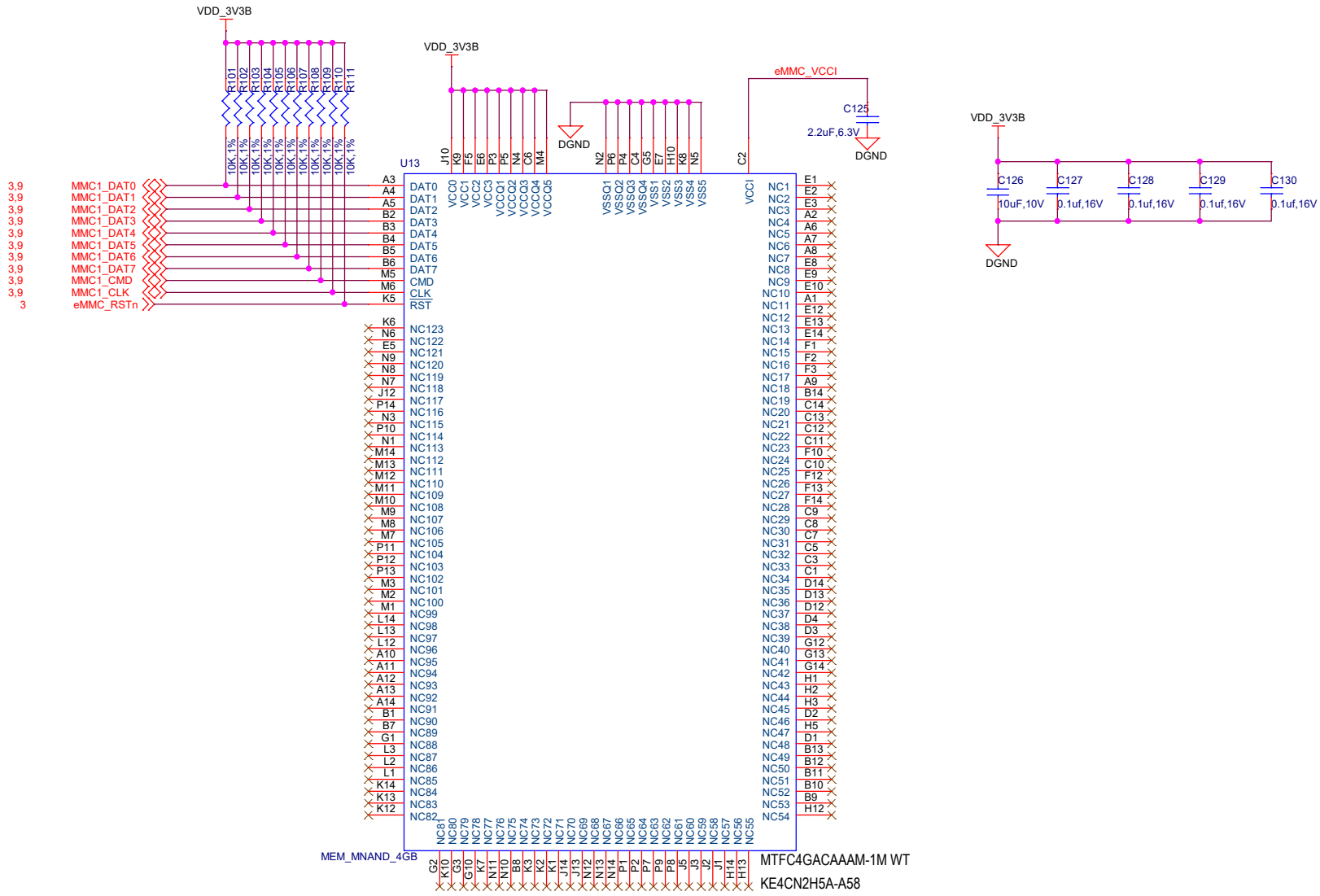
SYSBOOT[15:14]	SYSBOOT[13:12]	SYSBOOT[11:10]	SYSBOOT[9]	SYSBOOT[8]	SYSBOOT[7:6]	SYSBOOT[5]	SYSBOOT[4:0]	Boot Sequence			
00b = 19.2MHz 01b = 24MHz 10b = 25MHz 11b = 26MHz	00b (all other values reserved)	Don't care for ROM code	Don't care for ROM code	Don't care for ROM code	Don't care for ROM code	0 = CLKOUT1 disabled 1 = CLKOUT1 enabled	11100b	MMC1	MMC0	UART0	USB0[5]
00b = 19.2MHz 01b = 24MHz 10b = 25MHz 11b = 26MHz	00b (all other values reserved)	Don't care for ROM code	Don't care for ROM code	Don't care for ROM code	Don't care for ROM code	0 = CLKOUT1 disabled 1 = CLKOUT1 enabled	11000b	SPI0	MMC0	USB0[5] 1	UART0

**seed** studio  
Grow the Difference

Title		BeagleBone Green LED, Configuration, and Reset
Size	Document Number	Rev
B		v1.0
Date:	Monday, March 14, 2016	Sheet 6 of 11

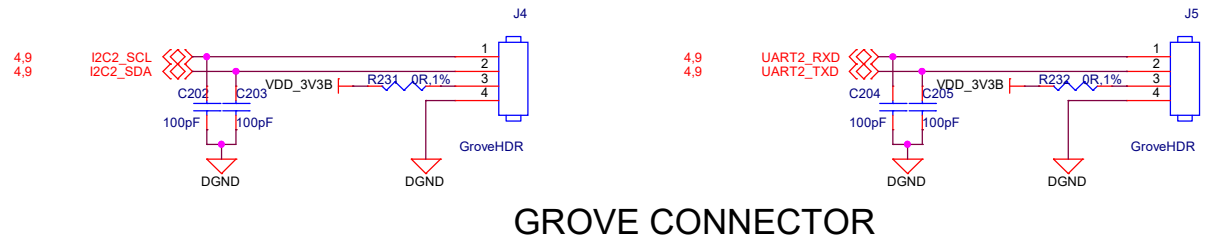
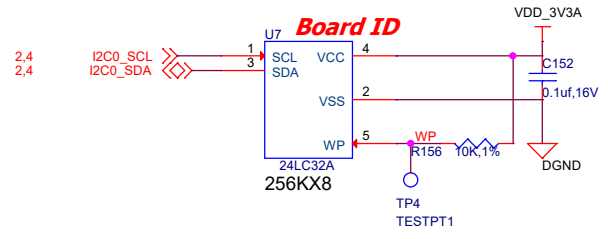
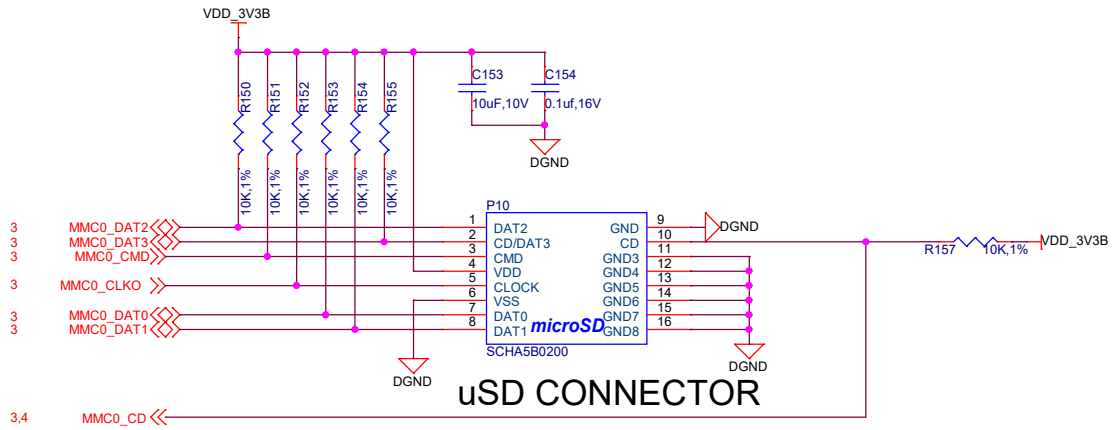
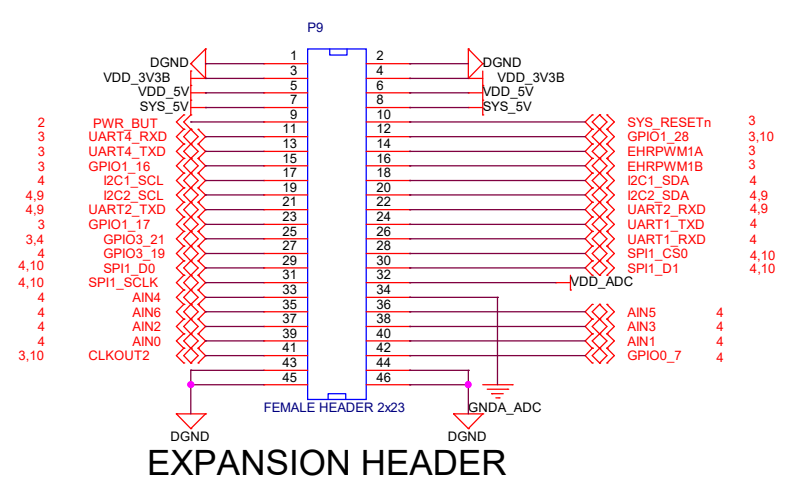
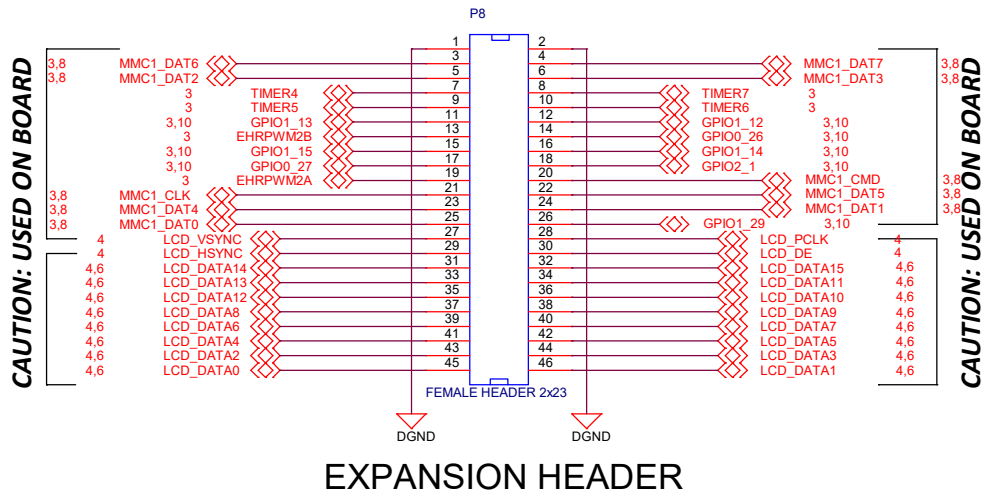


Title		BeagleBone Green DDR3 Memory
Size	Document Number	Rev
B		v1.0
Date:	Monday, March 14, 2016	Sheet 7 of 11



**Title** BeagleBone Green 4G eMMC  
**Size** Document Number **Rev** v1.0  
**Date:** Monday, March 14, 2016 **Sheet** 8 of 11

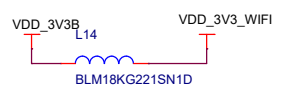
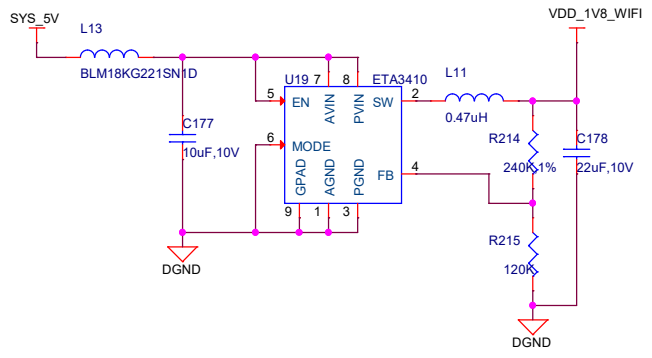




**seed** studio  
Grow the Difference

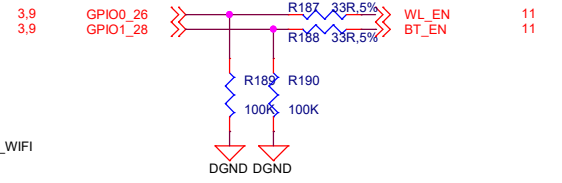
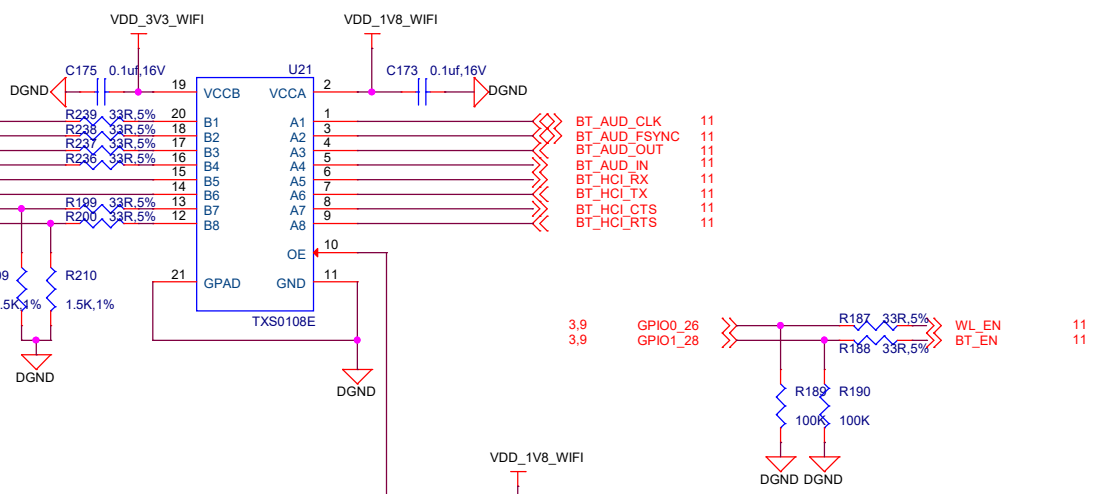
Title: BeagleBone Green Expansion Headers, uSD and EEPROM

Size: B	Document Number	Rev: v1.0
Date: Monday, March 14, 2016	Sheet 9 of 11	



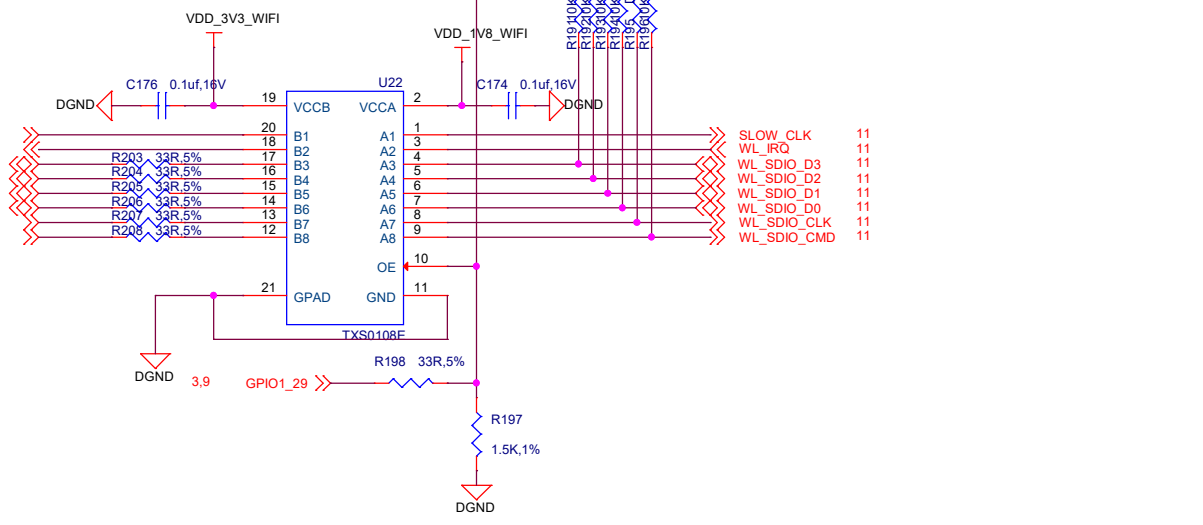
I2S\_DATA\_OUT <--> SPI1\_CS0  
 I2S\_DATA\_IN <--> SPI1\_D1  
 I2S\_WCLK\_OUT <--> SPI1\_D0  
 I2S\_BCLK\_OUT <--> SPI1\_SCLK

4,9 SPI1\_SCLK  
 4,9 SPI1\_D0  
 4,9 SPI1\_D1  
 4,9 SPI1\_CS0  
 4 UART3\_TXD  
 4 UART3\_RXD  
 4 UART3\_RTSN  
 4 UART3\_CTSN



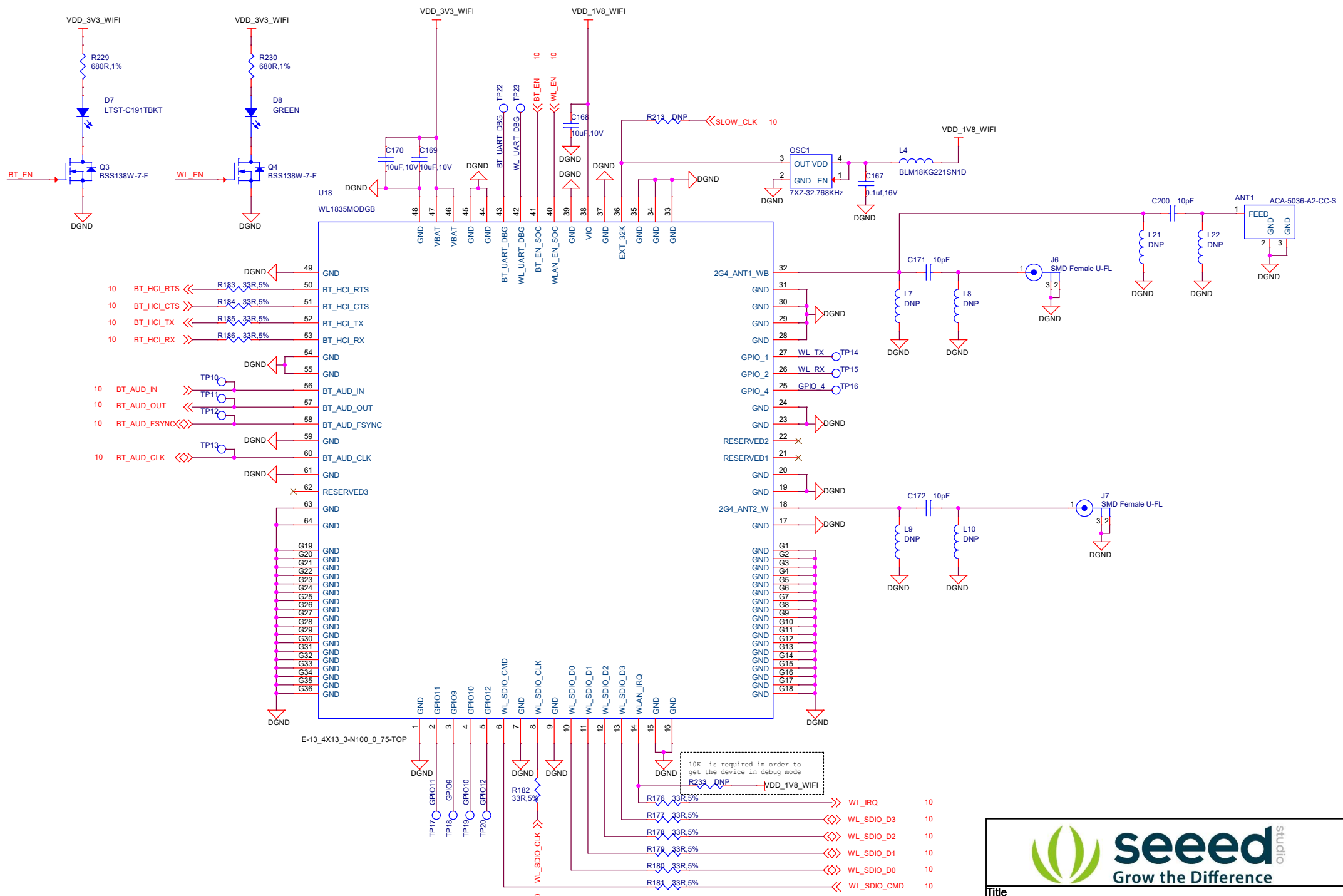
MMC2\_DAT0 <--> GPIO1\_12  
 MMC2\_DAT1 <--> GPIO1\_13  
 MMC2\_DAT2 <--> GPIO1\_14  
 MMC2\_DAT3 <--> GPIO1\_15  
 MMC2\_CLK <--> GPIO2\_1  
 MMC2\_CMD <--> GPIO2\_0

3,9 CLKOUT2  
 3,9 GPIO0\_27  
 3,9 GPIO1\_15  
 3,9 GPIO1\_14  
 3,9 GPIO1\_13  
 3,9 GPIO1\_12  
 3,9 GPIO2\_1  
 3 GPIO2\_0



**seed** studio  
Grow the Difference

Title		BeagleBone Green WL1835MOD Module 1/2
Size	Document Number	Rev
B		v1.0
Date:	Monday, March 14, 2016	Sheet 10 of 11



Title			BeagleBone Green WL1835MOD Module 2/2		
Size	Document Number				Rev
A3					v1.0
Date:	Monday, March 14, 2016			Sheet	11 of 11