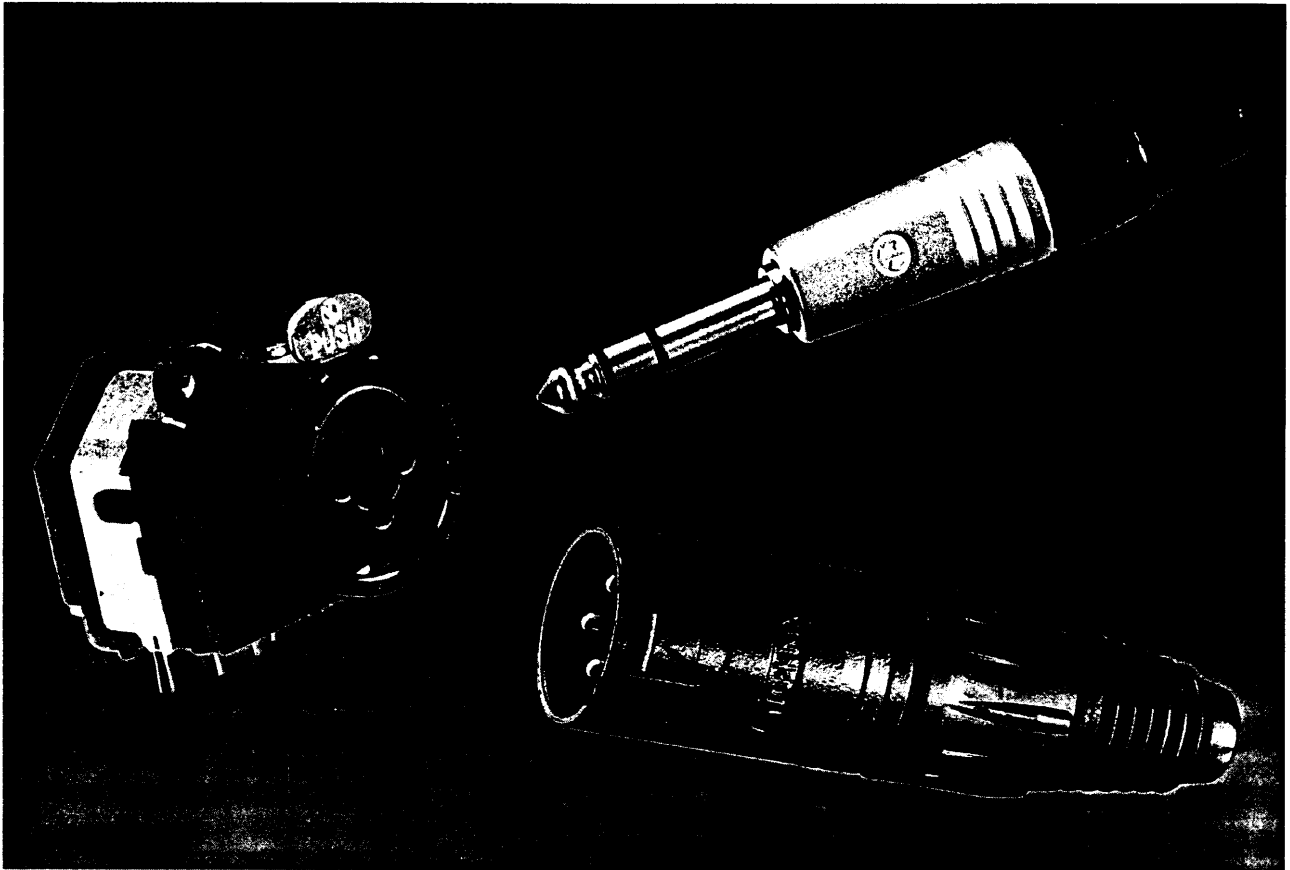


Combo

Combined XLR - Jack - Receptacle



- Combined 3 pole XLR and 1/4" Jack for balanced and line inputs or musical instruments in one XLR - shell.
- Space saving, both on the PCB and on the enclosure.
- Cost saving, XLR receptacle and a good reliable Jack all in one for the cost of a "D-Type" XLR.
- Labor saving, insertion of one piece only. The unique side brackets provide a strong mechanical connection between the PCB and the chassis/enclosure.
- Compatible with Neutrik K-Series, Cannon XLB-Series and Switchcraft PQG-Series.
- High retention force and low contact pressure for the jack-, locking or non-locking XLR-retention.



NEUTRIK

CONNECTING THE WORLD

CONNECTORS
AUDIO TEST SYSTEMS
INFOMATIC SYSTEMS

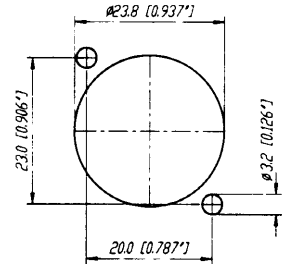
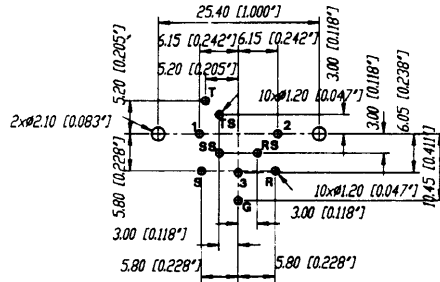
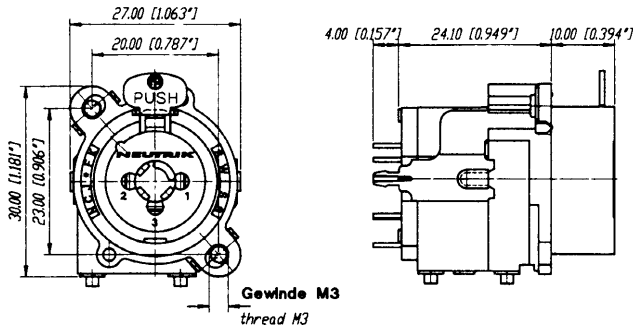
Specification and Technical Data

Dimensional Drawings

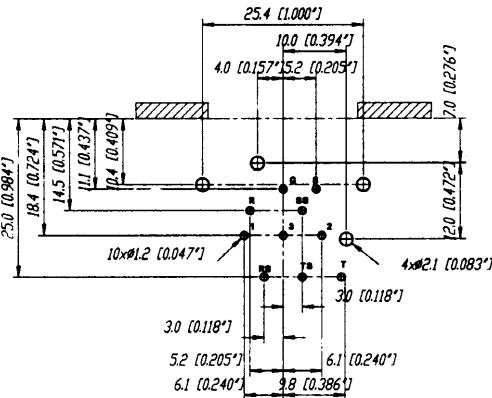
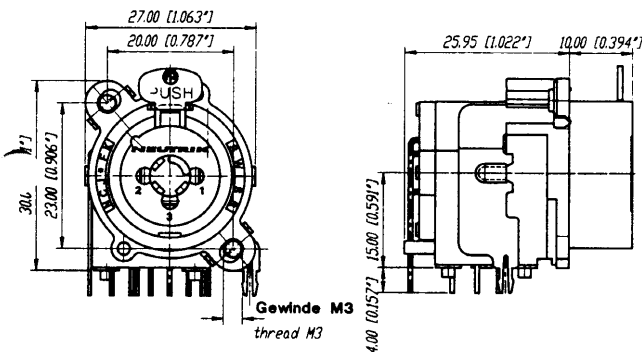
Footprints

Panel cut outs (front side)

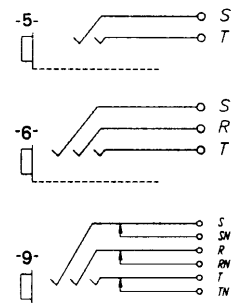
NCJ6FK-V



NCJ6FK-H



Circuits



MATERIALS

Shell: Polyamid, PA 6.6 30% gr
Brackets: CuSn6, Nickel Plated
Contacts of Jack and XLR: CuSn6
Contact Area: gold plated
Operating Temperature Range: -20 - +65° C

ELECTRICAL

Contact Resistance: $\leq 3m\Omega$ per Contact (XLR and Jack)
Capacity: XLR: $\leq 3pF$, Jack: $\leq 5pF$
Current contact rating: 7,5A intermittent duty cycle 10%
Dielectric withstanding Voltage: 1500 VDC
Rated Voltage: 250 VAC
Insulation Resistance: after Salt Mist and Damp Heat Test (IEC 68-2-11 / 68-2-30): $\geq 10^9 \Omega$

MECHANICAL

Insertion/withdrawal force: depends on mating connectors
Solderability complies with: IEC 68-2-20

Ordering Information

Receptacle, 3 Pole female XLR/ nonswitching mono-jack (T/S):
 Vertical NCJ5FK-V Horizontal NCJ5FK-H
Receptacle, 3 Pole female XLR/ nonswitching stereo-jack (T/R/S):
 Vertical NCJ6FK-V Horizontal NCJ6FK-H
Receptacle, 3 Pole female XLR/ switching (normalling) stereo-jack:
 Vertical NCJ9FK-V Horizontal NCJ9FK-H
Retention spring instead of latch: add suffix -0
Distance Ring: NDC (for flush mounted shell)

Additional Features

Most of today's consoles and amplifiers are furnished with two input receptacles per channel: a balanced 3-pole XLR and a 1/4" phone jack. In almost all cases only one of the inputs is -or should be- used at a time. Neutrik -the connector innovators- discovered the problem and found the solution: The NCJ*FK-Series.

Metal brackets on both sides of the connector with M3-threads at the front end and snap-in locks at bottom -or rear- end provide a firm mechanical link between the board and the chassis. The front end of the bracket has a sharp toothlike spike providing an electrical connection between the housing and chassis ground on the PCB if desired.

The retention force -another Neutrik innovation on it's Jacks- is delivered by a special retention element completely separated from the contacts. The low capacity of these connectors makes them also suitable for transmission of digital audio. Horizontal or vertical PCB mounting, switching or non switching, stereo and mono version, with or without latch, compatible to Neutrik K-Series, XLB and PQG connectors.

REPRESENTED AND SERVICED BY:

NEUTRIK
 CONNECTING THE WORLD

NEUTRIK AG
 Liechtenstein
 Tel 075 / 29666
 Fax 075 / 25393

NEUTRIK USA INC.,
 USA
 Tel 908 / 901 9488
 Fax 908 / 901 9608

NEUTRIK Marketing Ltd.
 United Kingdom
 Tel 071 / 792 8188
 Fax 071 / 792 8187

NEUTRIK Zürich AG
 Switzerland
 Tel 01 / 734 0400
 Fax 01 / 734 3891