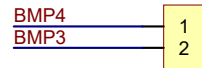
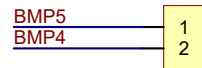
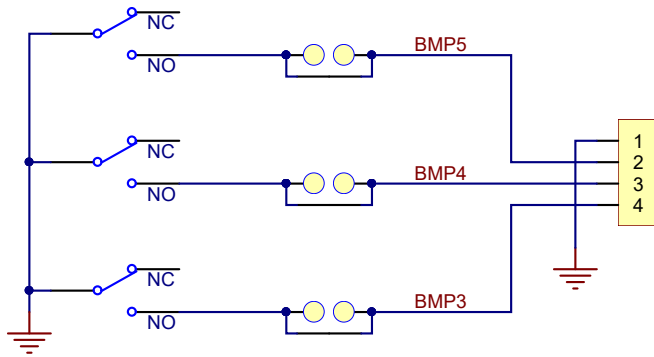
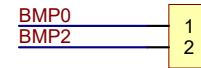
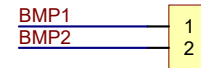
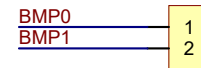
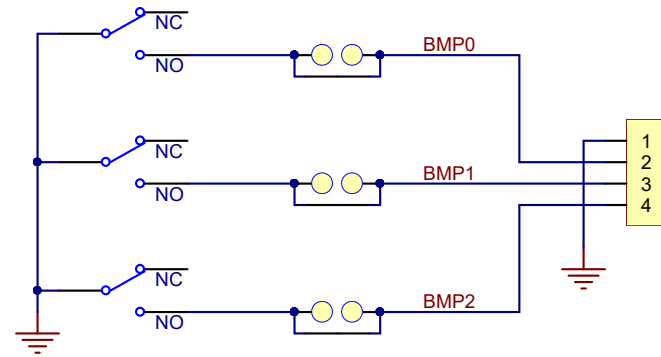


Left assembly



Through-hole jumpers for changing how switches map to outputs.

Right assembly



Through-hole jumpers for changing how switches map to outputs.