

PCB Information

Name:[SEN0405](V1.1)

Thickness: 1.0mm

Engineer:Aaron

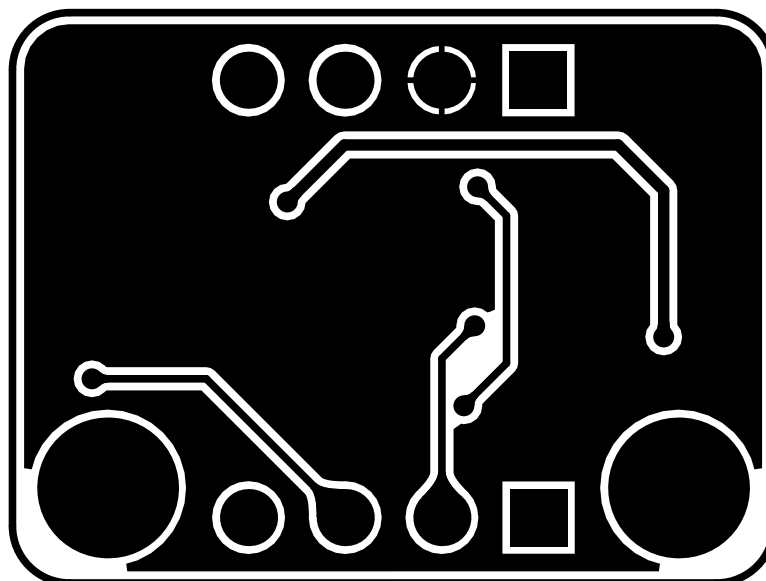
Top SolderMask: Black

Bottom SolderMask: Black

Date: 20210420

Top Silkscreen: White

Bottom Silkscreen: White



PCB Information

Name:[SEN0405](V1.1)

Thickness: 1.0mm

Engineer:Aaron

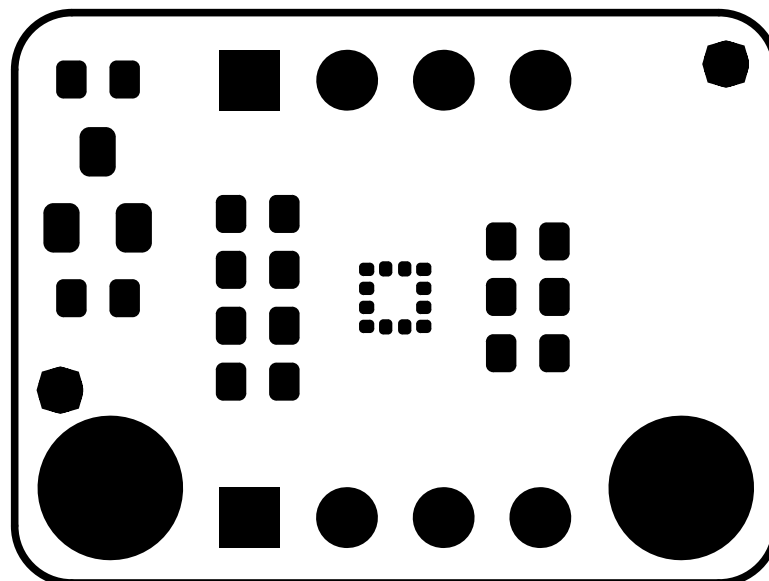
Top SolderMask: Black

Bottom SolderMask: Black

Date: 20210420

Top Silkscreen: White

Bottom Silkscreen: White



PCB Information

Name:[SEN0405](V1.1)

Thickness: 1.0mm

Engineer:Aaron

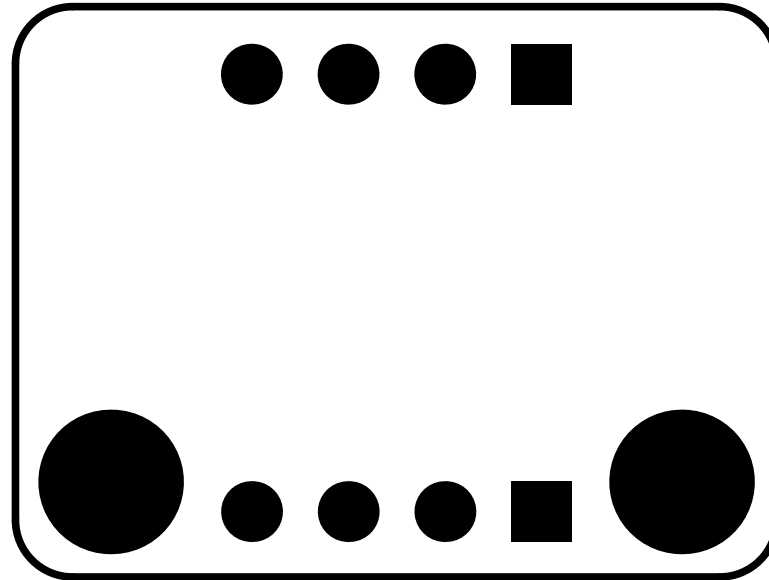
Top SolderMask: Black

Bottom SolderMask: Black

Date: 20210420

Top Silkscreen: White

Bottom Silkscreen: White



PCB Information

Name:[SEN0405](V1.1)

Thickness: 1.0mm

Engineer:Aaron

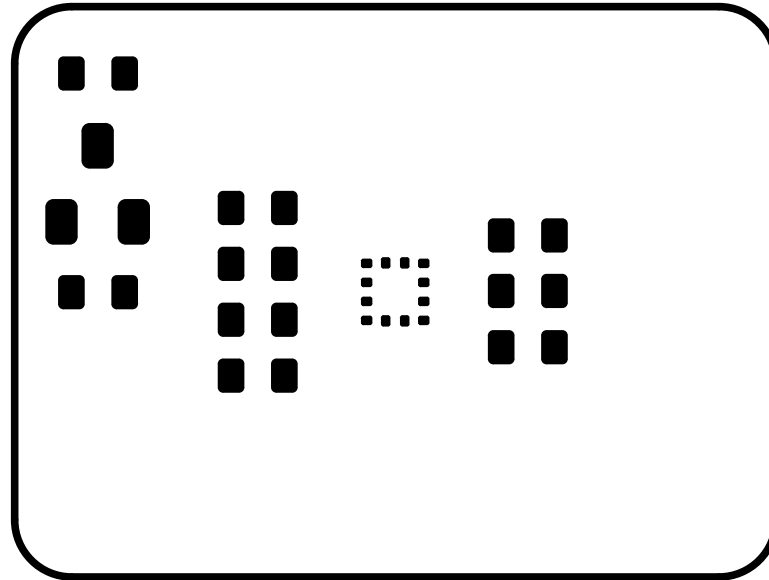
Top SolderMask: Black

Bottom SolderMask: Black

Date: 20210420

Top Silkscreen: White

Bottom Silkscreen: White



PCB Information

Name:[SEN0405](V1.1)

Thickness: 1.0mm

Engineer:Aaron

Top SolderMask: Black

Bottom SolderMask: Black

Date: 20210420

Top Silkscreen: White

Bottom Silkscreen: White



PCB Information

Name:[SEN0405](V1.1)

Thickness: 1.0mm

Engineer:Aaron

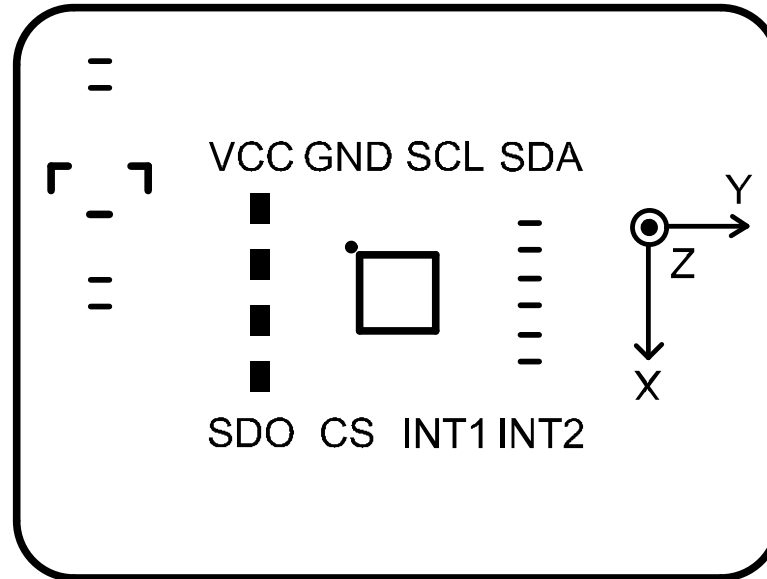
Top SolderMask: Black

Bottom SolderMask: Black

Date: 20210420

Top Silkscreen: White

Bottom Silkscreen: White



PCB Information

Name:[SEN0405](V1.1)

Thickness: 1.0mm

Engineer:Aaron

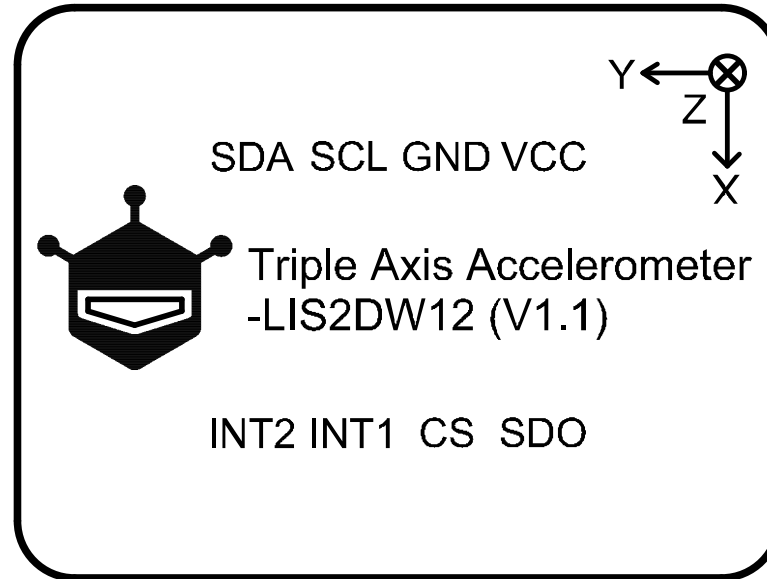
Top SolderMask: Black

Bottom SolderMask: Black

Date: 20210420

Top Silkscreen: White

Bottom Silkscreen: White



PCB Information

Engineer: Aaron

Date: 20210420

Name: [SEN0405](V1.1)

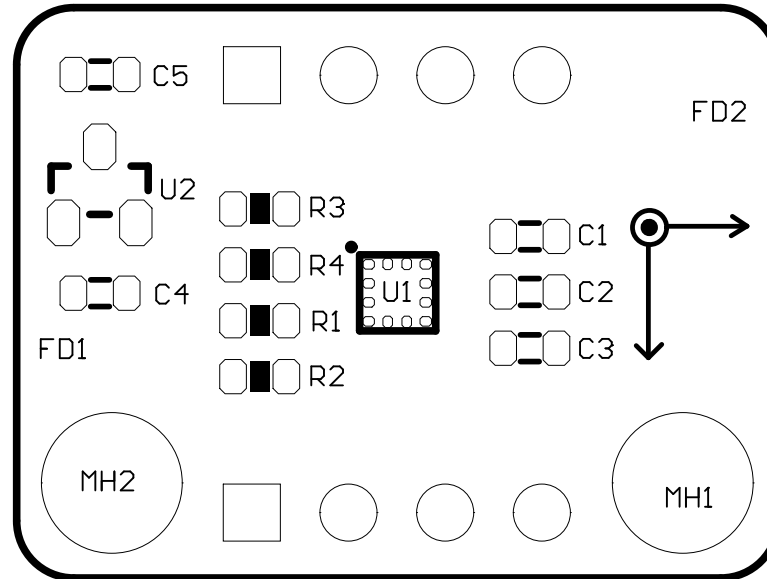
Top SolderMask: Black

Top Silkscreen: White

Thickness: 1.0mm

Bottom SolderMask: Black

Bottom Silkscreen: White



PCB Information

Engineer: Aaron

Date: 20210420

Name: [SEN0405](V1.1)

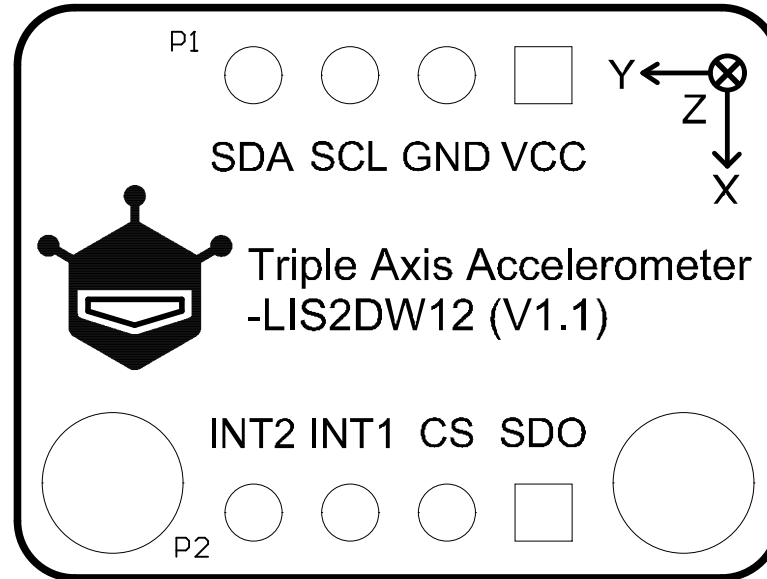
Top SolderMask: Black

Top Silkscreen: White

Thickness: 1.0mm

Bottom SolderMask: Black

Bottom Silkscreen: White



PCB Information

Name:[SEN0405](V1.1)

Thickness: 1.0mm

Engineer:Aaron

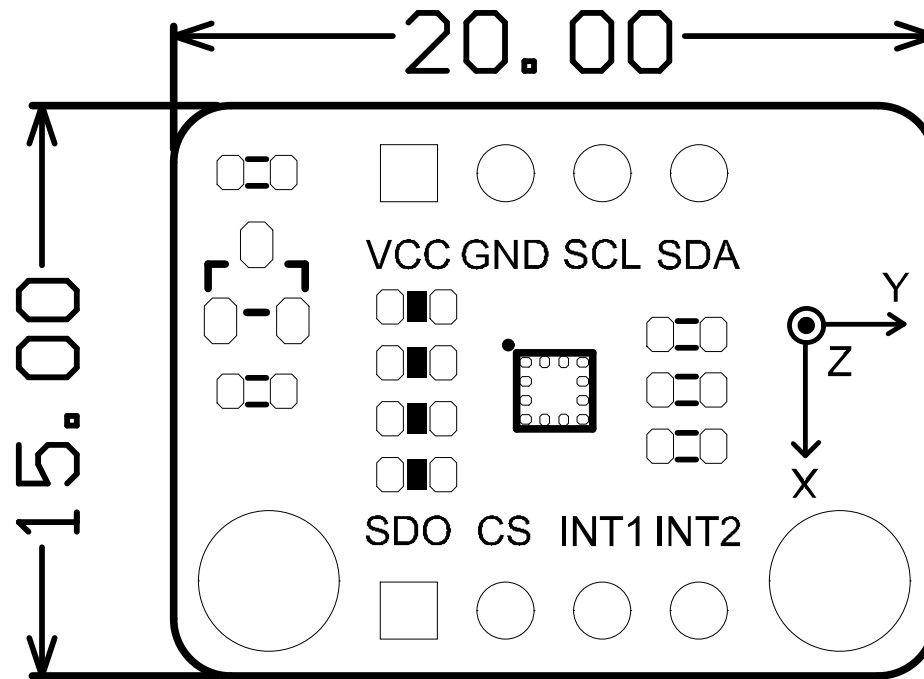
Top SolderMask: Black

Bottom SolderMask: Black

Date: 20210420

Top Silkscreen: White

Bottom Silkscreen: White



PCB Information

Name:[SEN0405](V1.1)

Thickness: 1.0mm

Engineer:Aaron

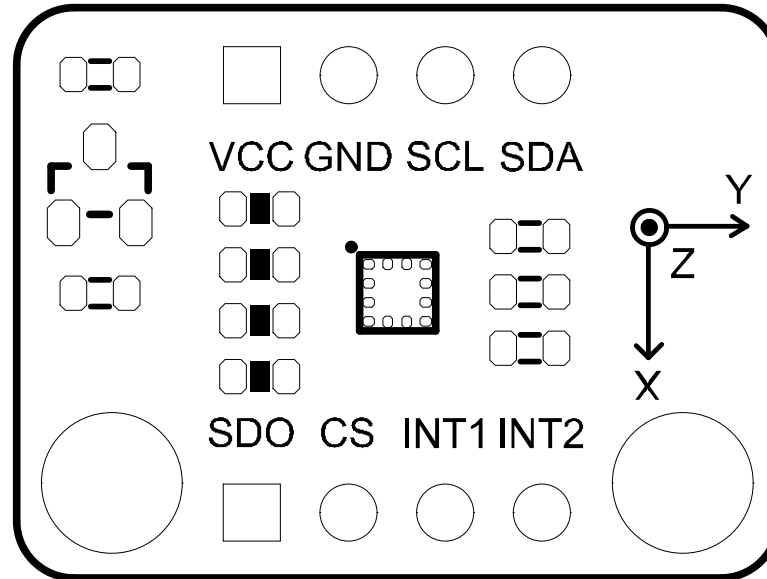
Top SolderMask: Black

Bottom SolderMask: Black

Date: 20210420

Top Silkscreen: White

Bottom Silkscreen: White



PCB Information

Name:[SEN0405](V1.1)

Thickness: 1.0mm

Engineer:Aaron

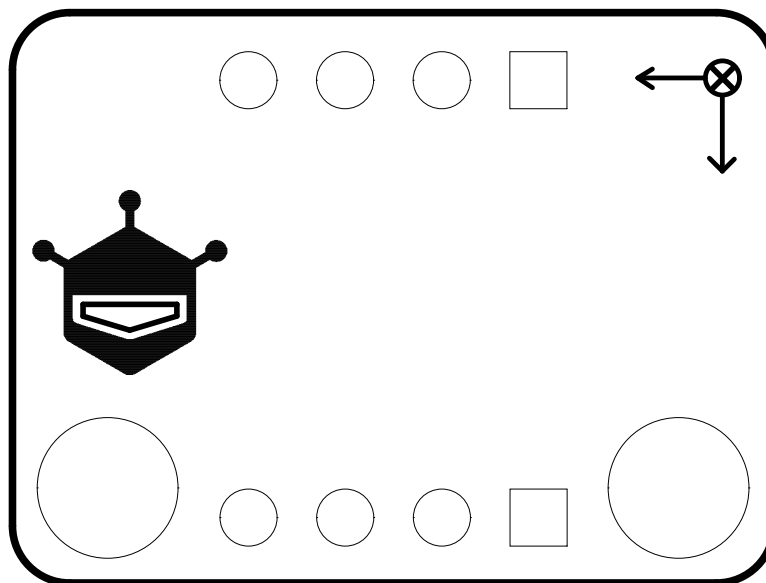
Top SolderMask: Black

Bottom SolderMask: Black

Date: 20210420

Top Silkscreen: White

Bottom Silkscreen: White



PCB Information

Name:[SEN0405](V1.1)

Thickness: 1.0mm

Engineer:Aaron

Top SolderMask: Black

Bottom SolderMask: Black

Date: 20210420

Top Silkscreen: White

Bottom Silkscreen: White