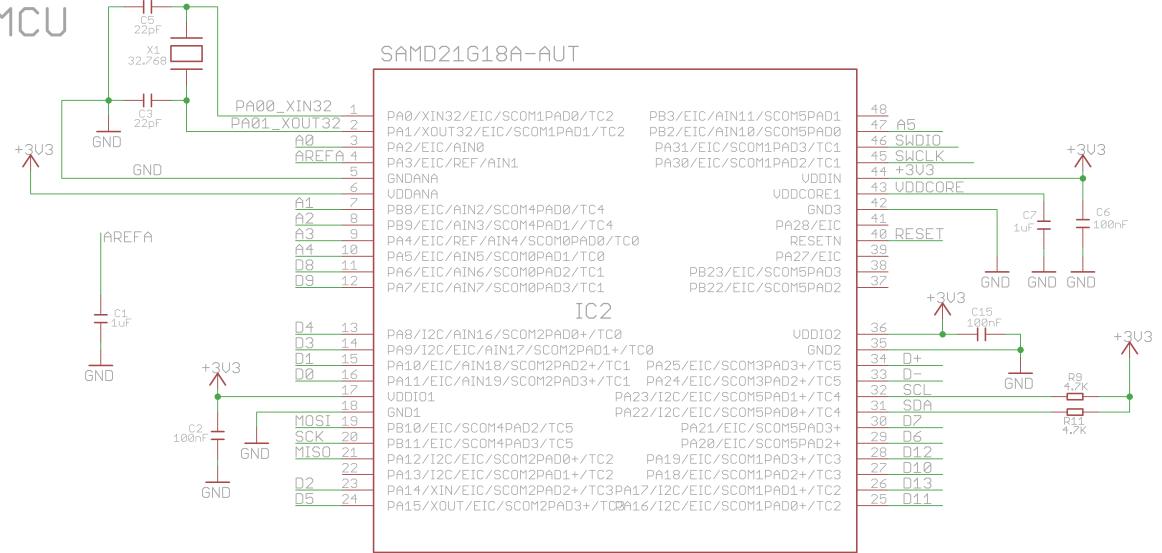
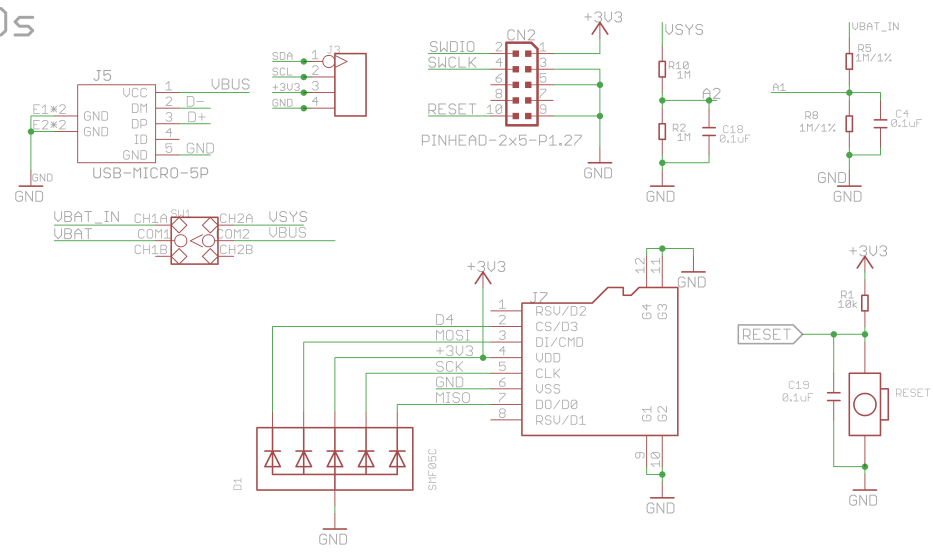


# MCU

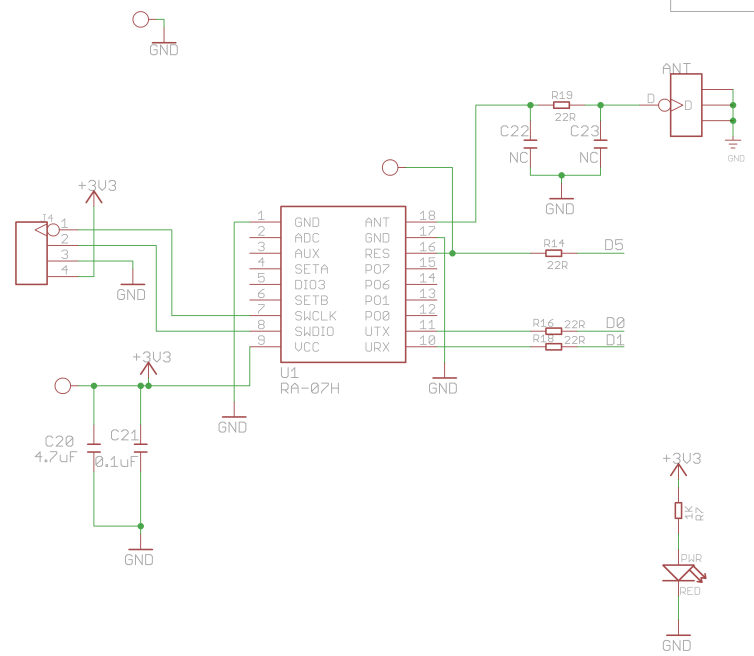


# IOs



# Lorawan Node Module

Open Source  
[www.makerfabs.com](http://www.makerfabs.com)  
 Design:Charlin  
 Maduino Zero Lorawan Node v1.0



# LDO&Charger

