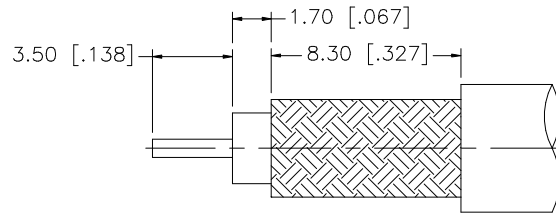
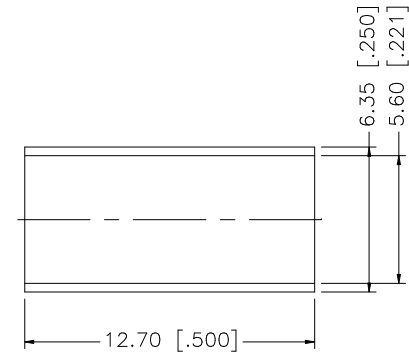
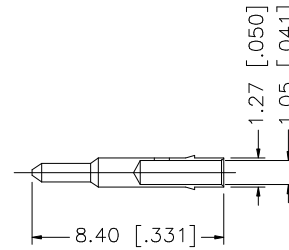
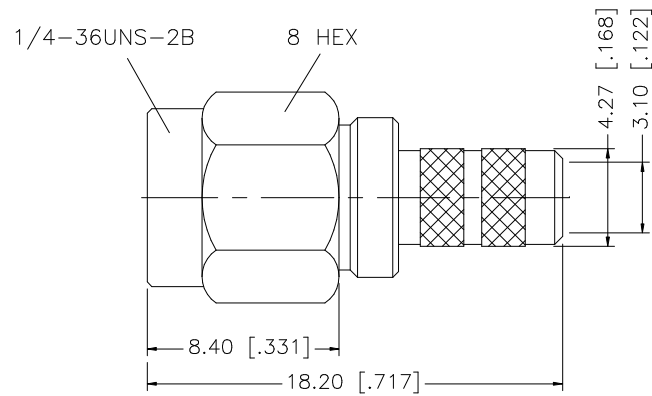


| REV. | DATE | DESCRIPTION |
|------|----------|-----------------------|
| A | 04/31/03 | UPDATE DRAWING FORMAT |



RECOMMENDED CABLE STRIPPING DIMENSIONS



CRIMP NOTES:

1. CRIMPED FERRULE
HEX CRIMP SIZE .213"
2. SOLDER CENTER CONTACT

| | | | | | UNLESS OTHERWISE SPECIFIED DIMENSIONS ARE IN MILLIMETERS. DIMENSIONS IN [] ARE IN INCHES AND FOR CUSTOMER REFERENCE ONLY. | APPROVALS | DATE | <h1 style="color: blue; margin: 0;">Amphenol Connex</h1> | | | | |
|-------------|---------------|-------------|---------|---|--|-----------|-------------------|--|---|--|--|----------|
| 8 | | | | | UNLESS OTHERWISE SPECIFIED TOLERANCES FOR MILLIMETERS ARE: 0.5 - 8mm ± 0.20mm 8 - 30mm ± 0.40mm 30 - 120mm ± 0.50mm UNLESS OTHERWISE SPECIFIED TOLERANCES FOR INCHES ARE: .020 - .315 = ± 0.007" .315 - 1.180 = ± 0.015" 1.180 - 4.724 = ± 0.020" | DRAWN | G.R.S. | | | | | 04/31/03 |
| 7 | | | | | | CHECKED | | | PART NO. 132195 | | | |
| 6 | FERRULE | COPPER | GOLD | 1 | | ISSUED | | | | | | |
| 5 | GASKET | SILICONE | RED | 1 | | SHEET | 1 OF 1 | | REV. A SIZE A SCALE NA | | | |
| 4 | RETAINER RING | BER. COPPER | NATURAL | 1 | | CAD FILE | C:/132/132195.DWG | | | | | |
| 3 | CONTACT PIN | BRASS | GOLD | 1 | | | | | | | | |
| 2 | INSULATOR | TEFLON | NATURAL | 1 | | | | | | | | |
| 1 | BODY | BRASS | GOLD | 1 | | | | | | | | |
| DESCRIPTION | | | | | MATERIAL | FINISH | QTY | DO NOT SCALE DRAWING | | | | |