

Zmod ADC 1410

09/13/2019

Variant: [No Variations]

B.1

Sheet	Index	Sheet	Index	Sheet	Index
1	COVER PAGE	5	SCOPE REFERENCE	8	POD-MCU & RELAY DRIVERS
2	BLOCK DIAGRAM	6	ADC FOR SCOPE CHANNELS 1,2	9	ANALOG POWER SUPPLIES
3	SCOPE CHANNEL 1	7	SYZYGY CONNECTOR		
4	SCOPE CHANNEL 2				

Copyright 2020, DIGILENT Inc. All Rights Reserved.

Terms of Use. The contents are provided "AS IS". DIGILENT DISCLAIMS ALL WARRANTIES, EITHER EXPRESS OR IMPLIED, INCLUDING, BUT NOT LIMITED TO, THE IMPLIED WARRANTIES OF MERCHANTABILITY, FITNESS FOR A PARTICULAR PURPOSE, AND NON-INFRINGEMENT OF INTELLECTUAL PROPERTY. The contents could contain technical inaccuracies, typographical errors or out-of-date information. Information may be updated or changed at any time, without notice. Use of such information is therefore at your own risk. Digilent may at any time revise these Terms of Use. You are bound by such revisions and should therefore visit <https://store.digilentinc.com/terms-of-use/> to review the current Terms of Use.

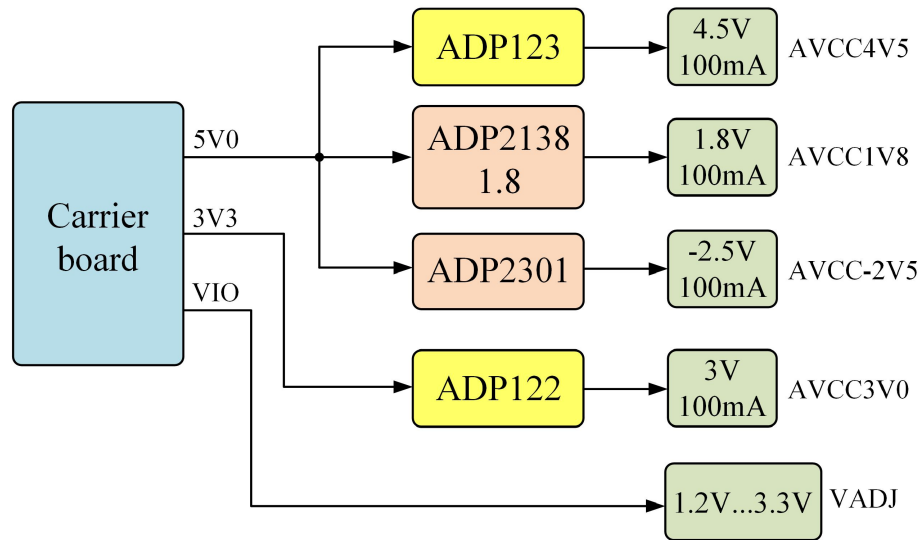
Limitation of Liability. DIGILENT WILL NOT BE LIABLE FOR DIRECT, INDIRECT, SPECIAL, INCIDENTAL, COVER, ECONOMIC, OR CONSEQUENTIAL DAMAGES ARISING OUT OF THE USE OR INABILITY TO USE THE CONTENTS EVEN IF DIGILENT IS ADVISED OF THE POSSIBILITY OF SUCH DAMAGES.

Title Zmod ADC 1410		Rev B.1 Copyright 2019
Circuit	Cover Page	
Doc#	500-396	
Engineer	RV	
Author	DG	
Date	09/13/2019	
Sheet#	1 out of 9	

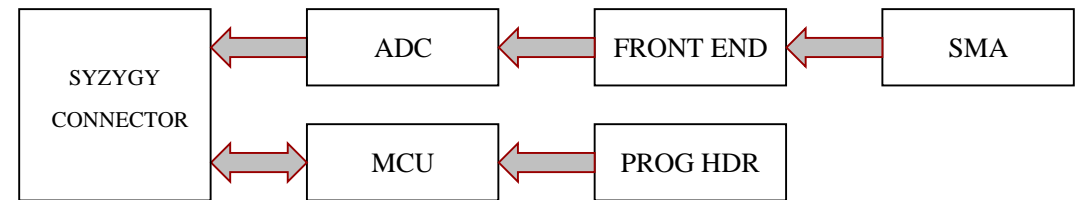


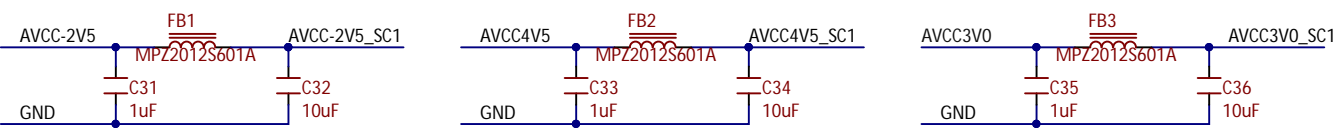
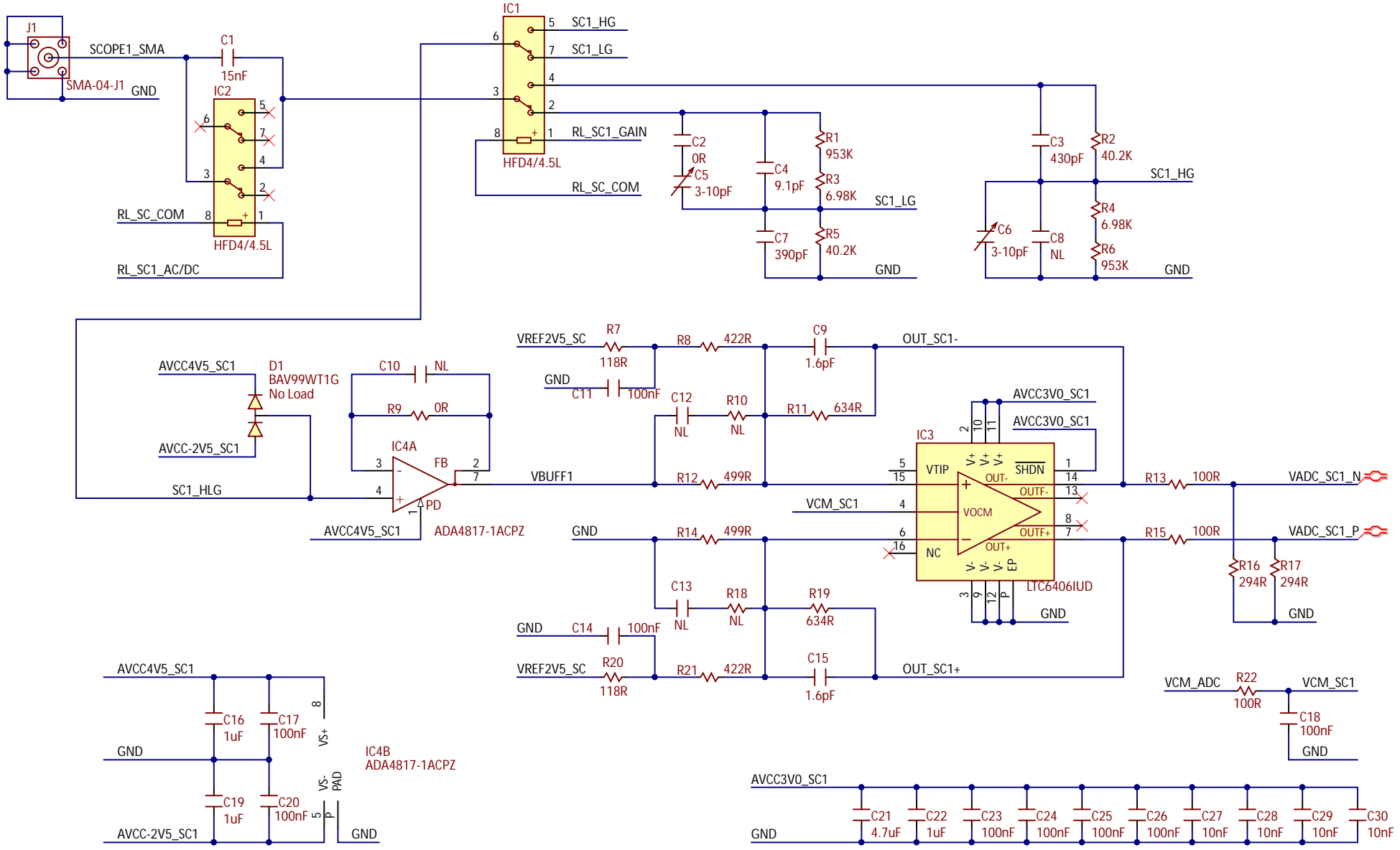
Zmod ADC 1410

Power Tree



Block Diagram





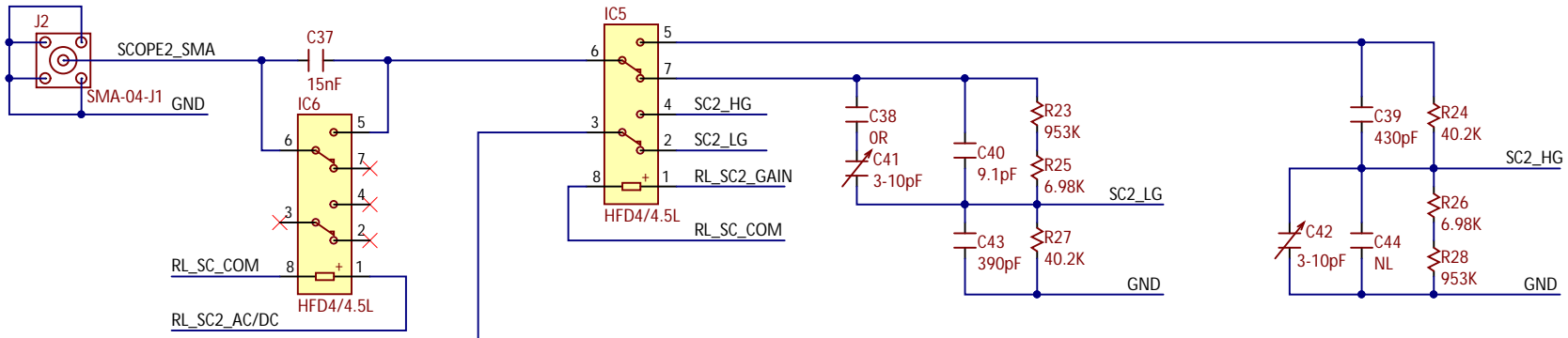
Title		Rev	
<h1>Zmod ADC 1410</h1>		<h1>B.1</h1>	
Circuit		Scope Channel 1	
Doc#		500-396	
Engineer		RV	
Author		DG	
Date		09/13/2019	
Sheet#		3 out of 9	



DIGILENT[®]
A National Instruments Company

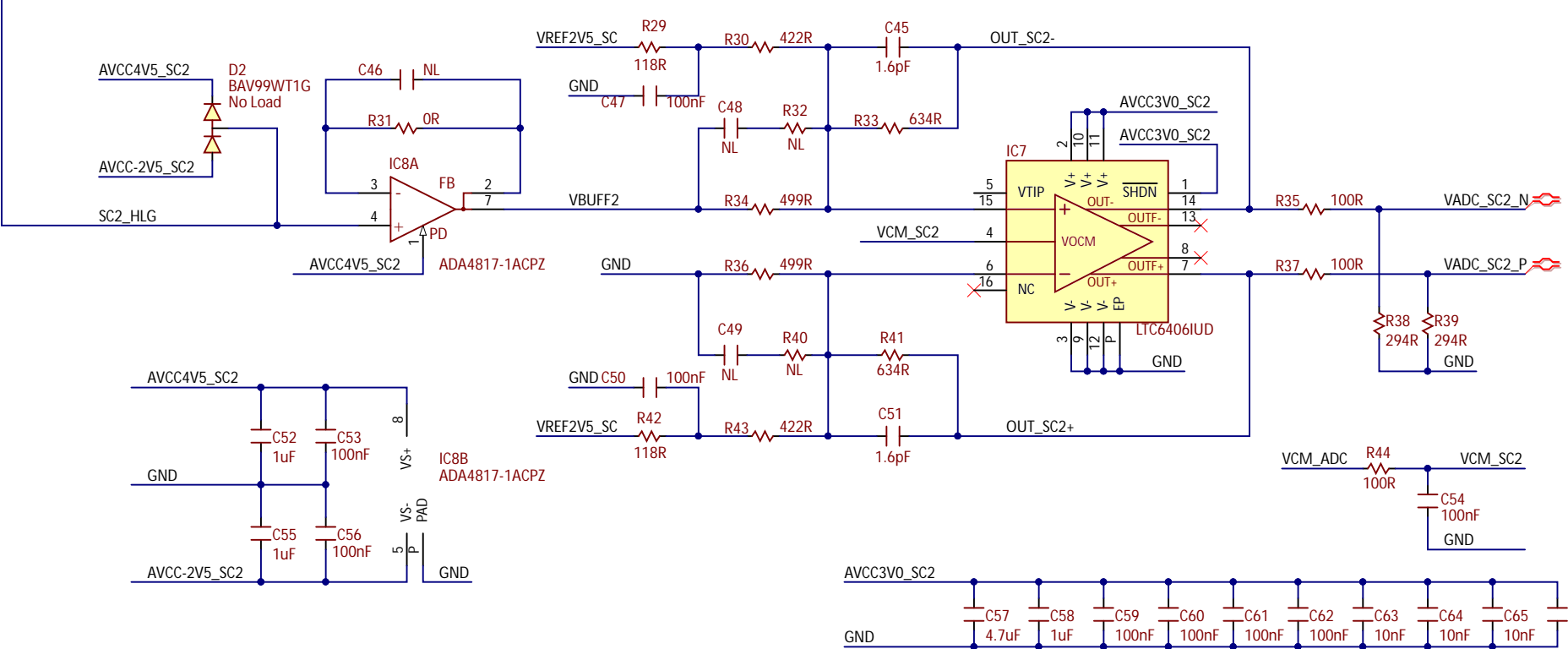
A

A



B

B

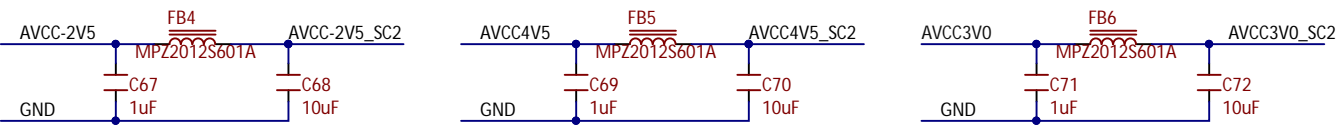


C

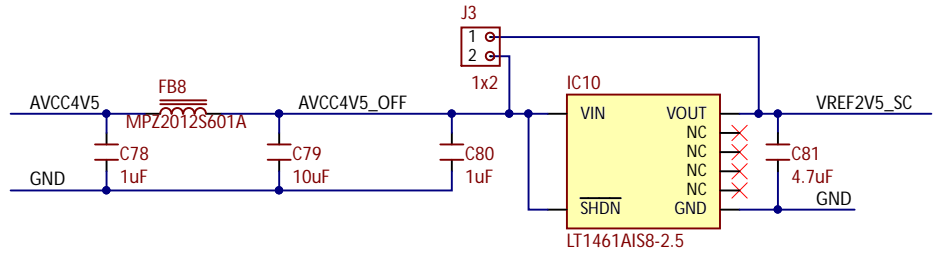
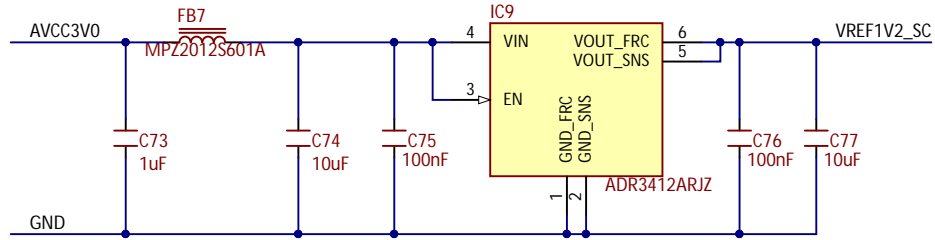
C

D

D



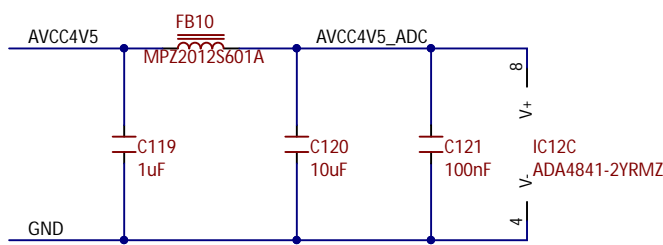
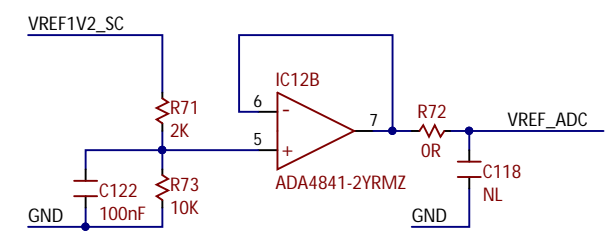
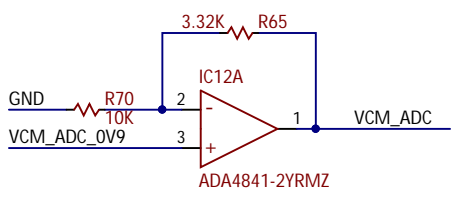
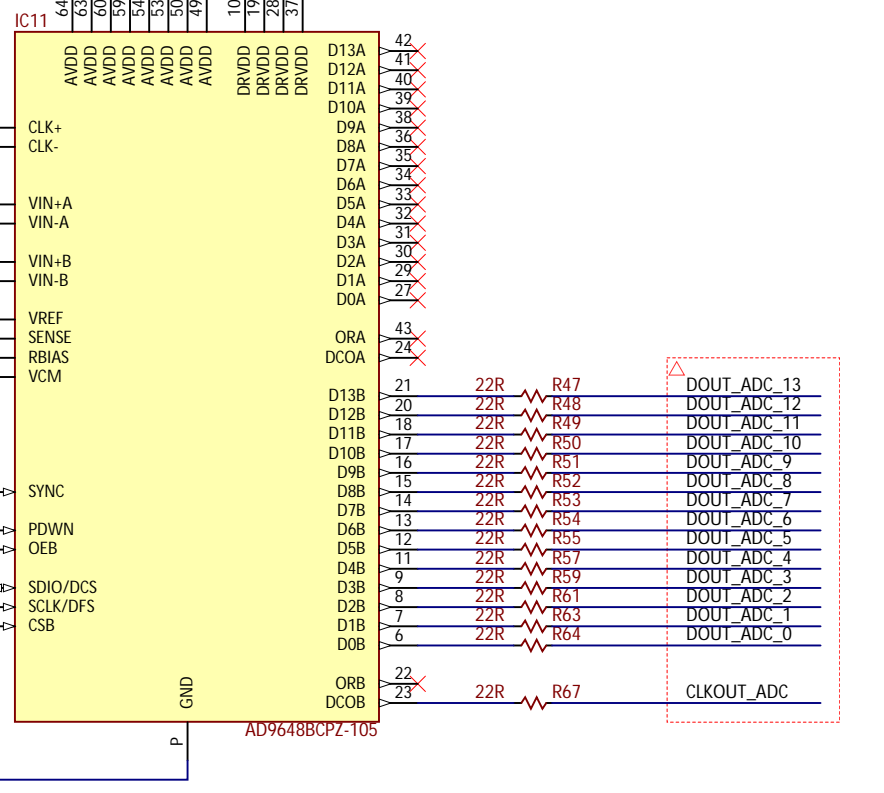
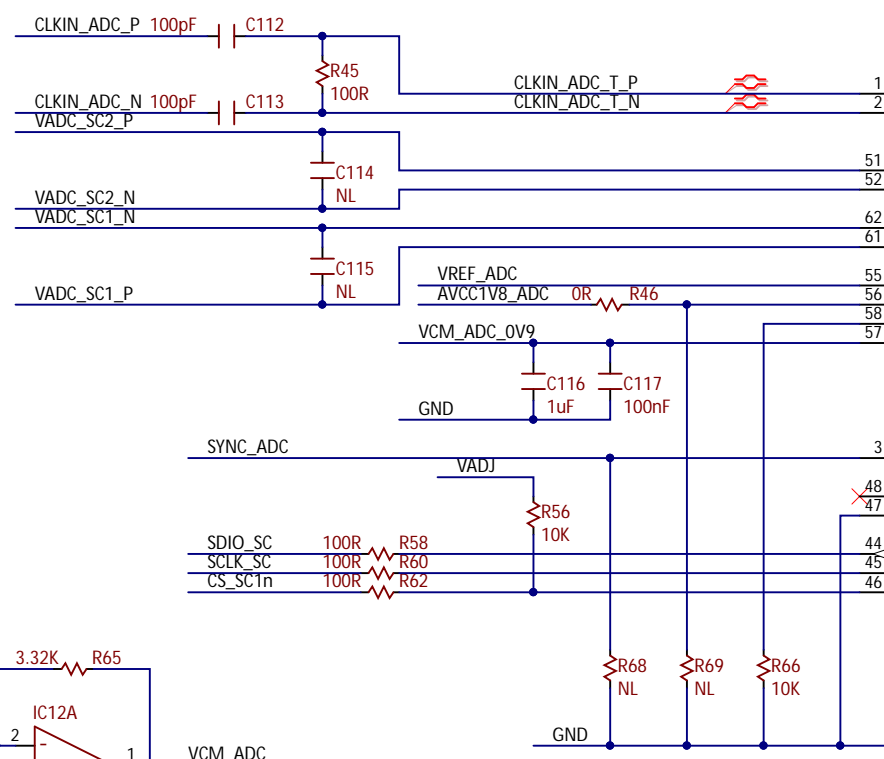
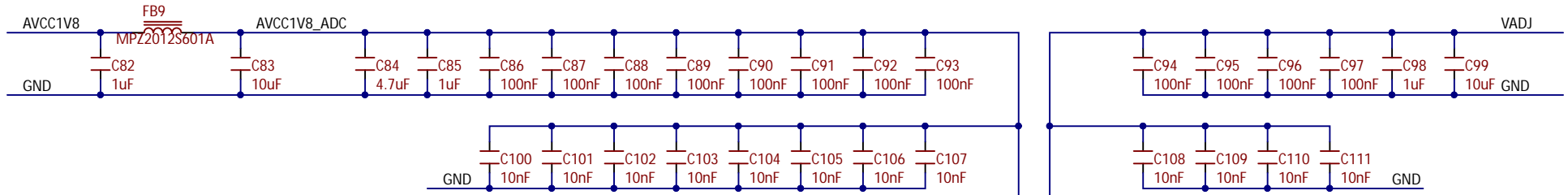
Title		Rev
Zmod ADC 1410		B.1
Circuit		Copyright 2019
Scope Channel 2		
Doc#	500-396	
Engineer	RV	
Author	DG	
Date	09/13/2019	
Sheet#	4 out of 9	



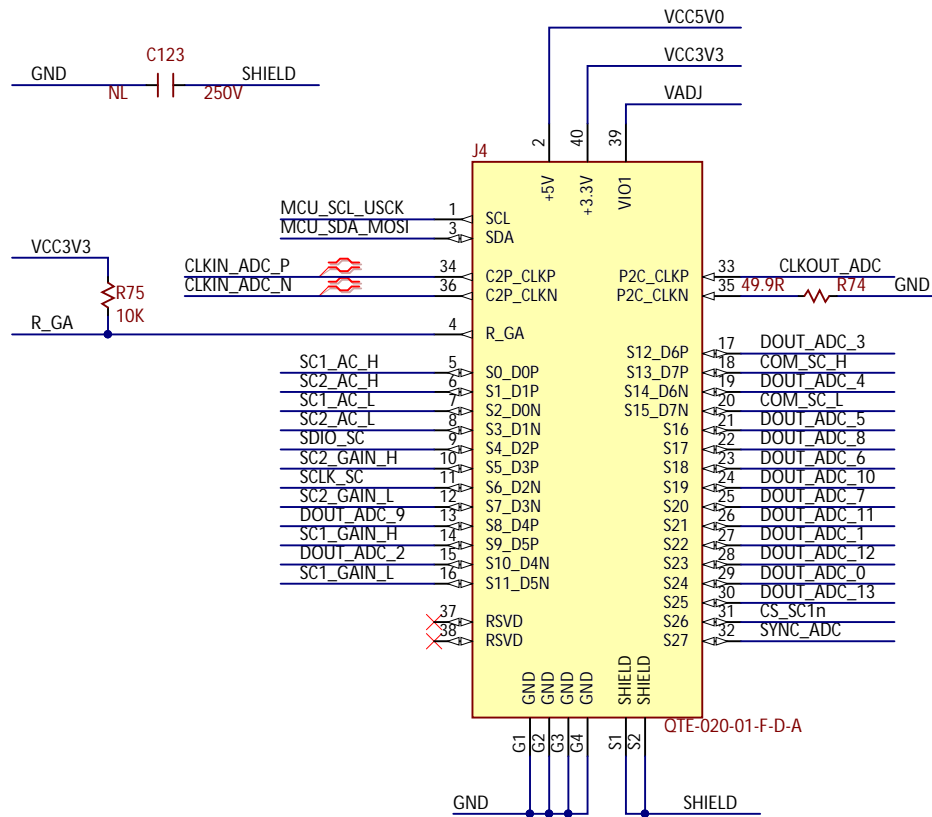
Title Zmod ADC 1410		Rev B.1 Copyright 2019
Circuit	Scope Reference	
Doc#	500-396	
Engineer	RV	
Author	DG	
Date	09/13/2019	
Sheet#	5 out of 9	



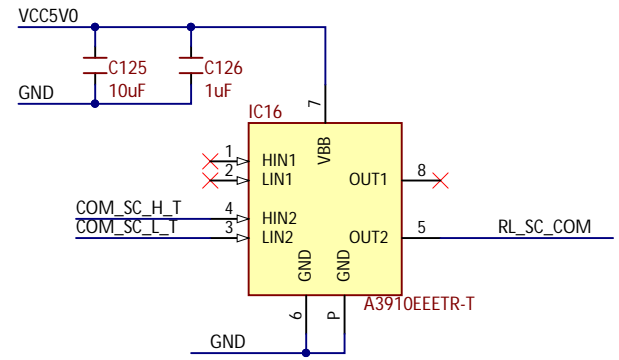
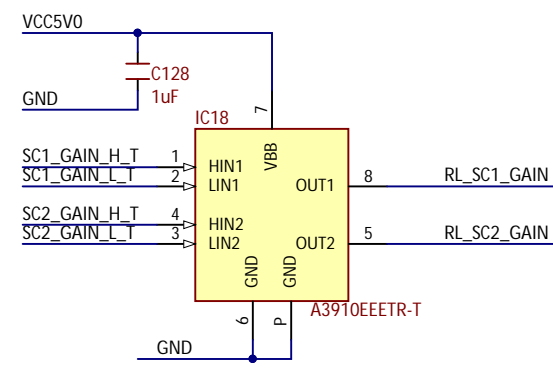
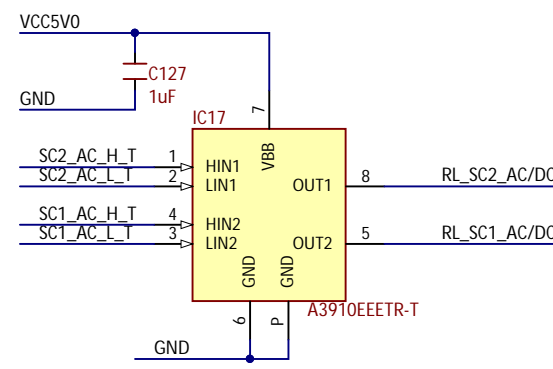
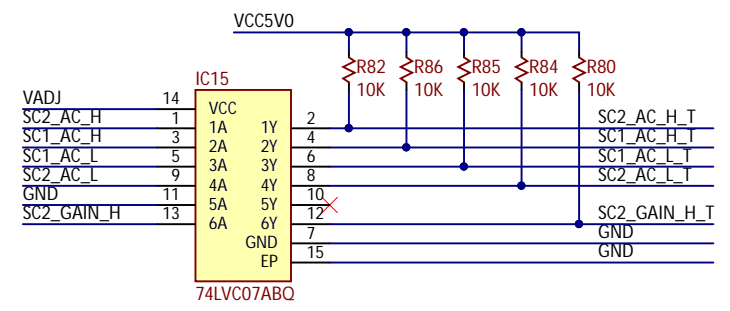
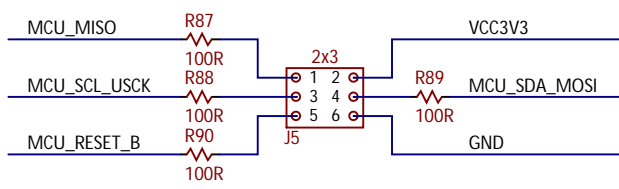
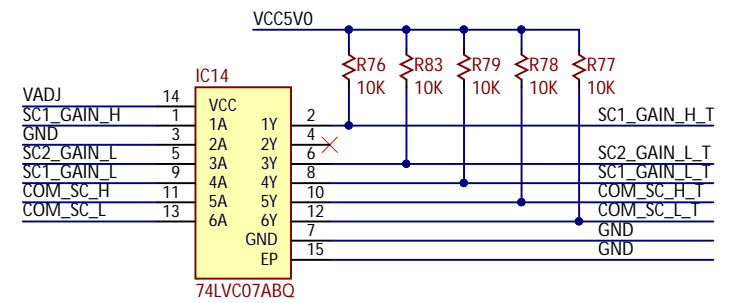
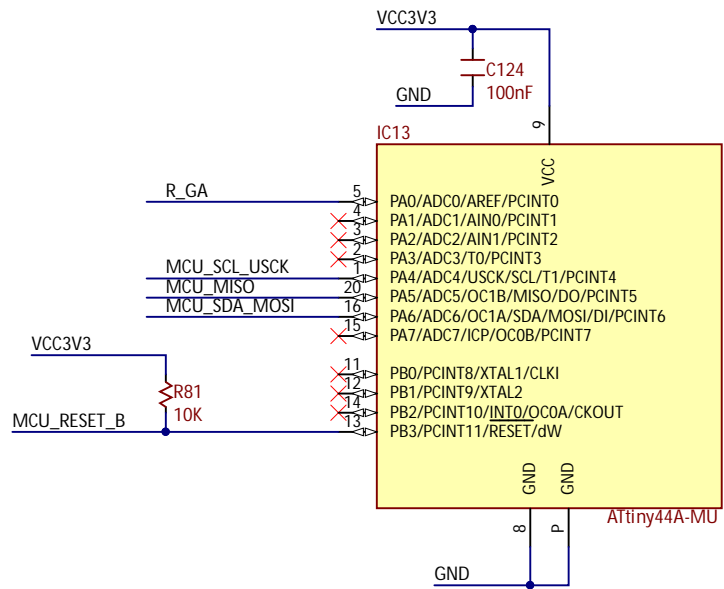
DIGILENT[®]
A National Instruments Company



Title		Rev
Zmod ADC 1410		B.1
Doc# 500-396		Copyright 2019
Circuit	ADC for Scope Channels 1,2	
Author	DG	
Date	09/13/2019	
Sheet#	6 out of 9	



Title Zmod ADC 1410		Rev B.1 Copyright 2019
Circuit Szyzyg Connector		 A National Instruments Company
Doc# 500-396		
Engineer RV		
Author DG		
Date 09/13/2019		
Sheet# 7 out of 9		



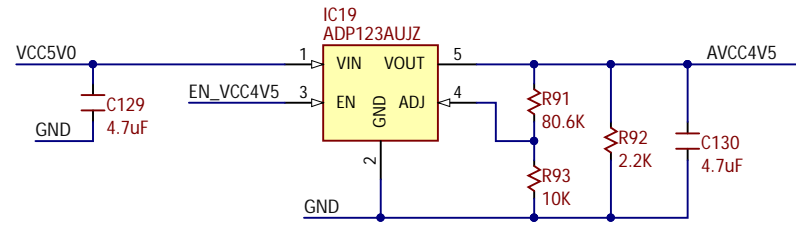
Title		Rev
Zmod ADC 1410		B.1
Circuit		Copyright 2019
Pod-MCU & Relay Drivers		
Doc#	500-396	
Engineer	RV	
Author	DG	
Date	09/13/2019	
Sheet#	8 out of 9	

DIGILENT[®]

A National Instruments Company

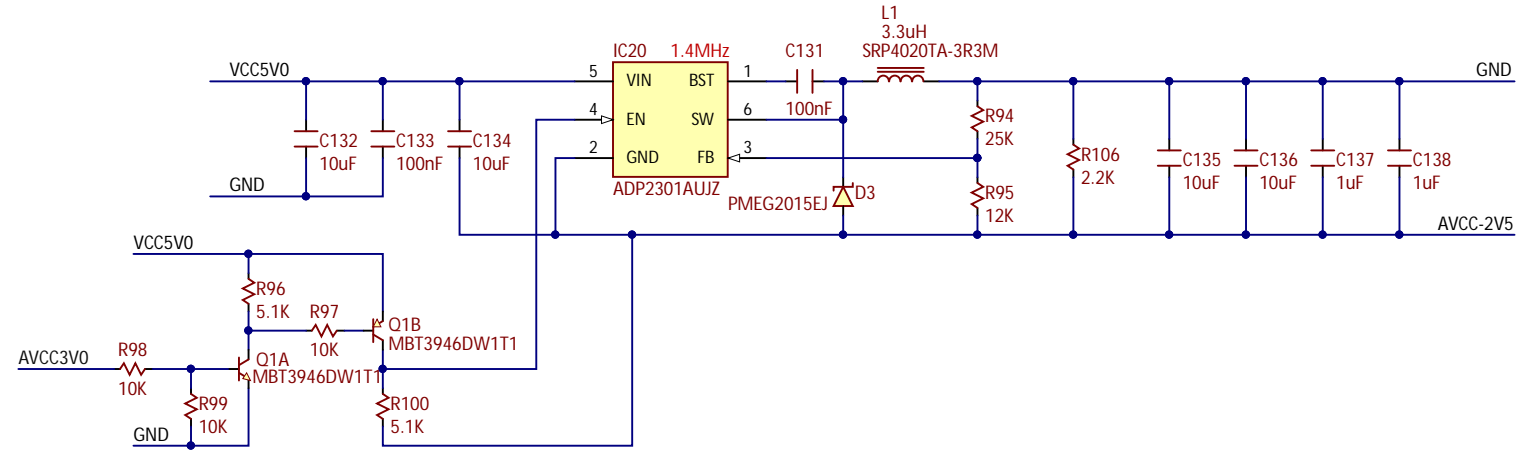
A

A



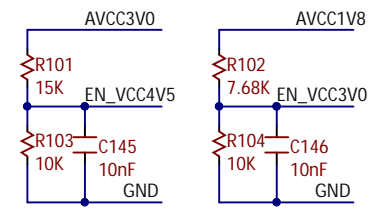
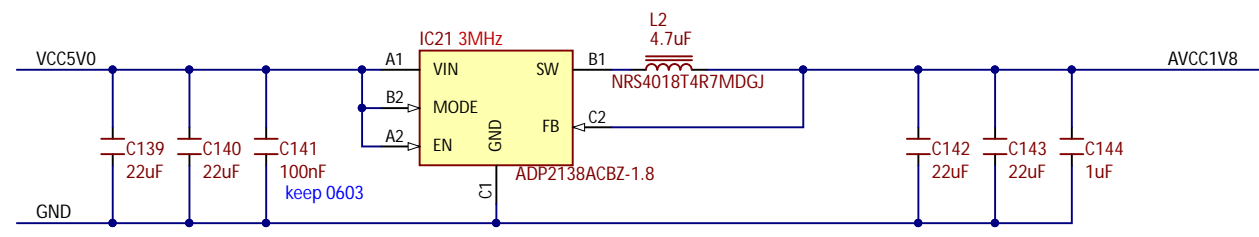
B

B



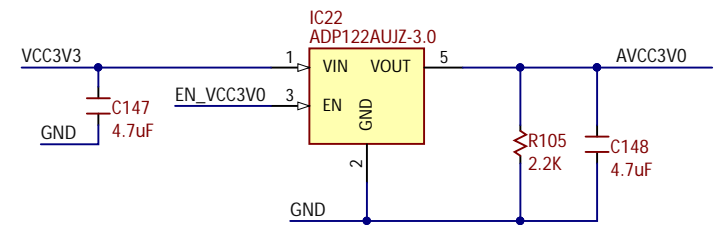
C

C



D

D



Title		Rev
Zmod ADC 1410		B.1
Circuit		Copyright 2019
Analog Power Supplies		
Doc#	500-396	
Engineer	RV	
Author	DG	
Date	09/13/2019	
Sheet#	9 out of 9	